

INSTRUCTIONS FOR INSTALLING "K" FOG LIGHT BRACKETS
ON 1941 BUICK.

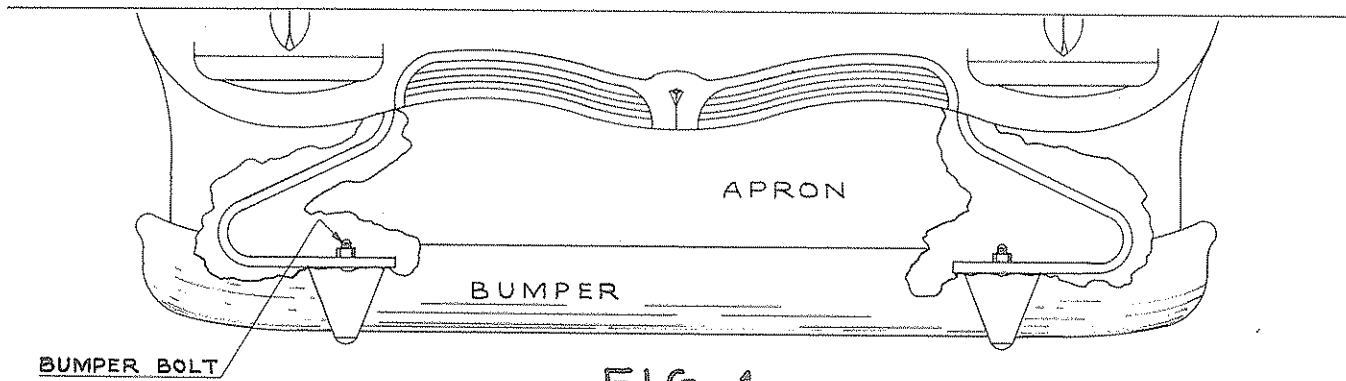


FIG. 1

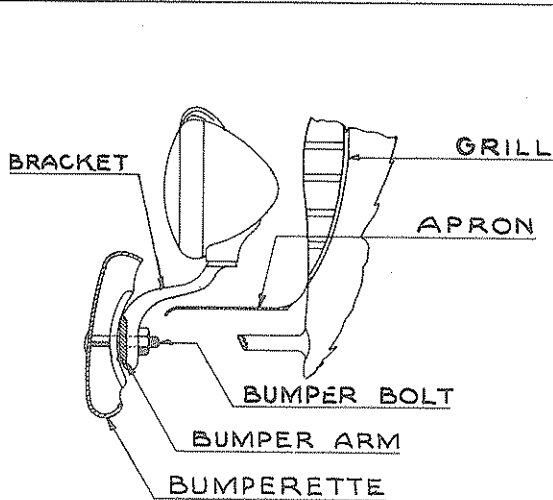


FIG. 2

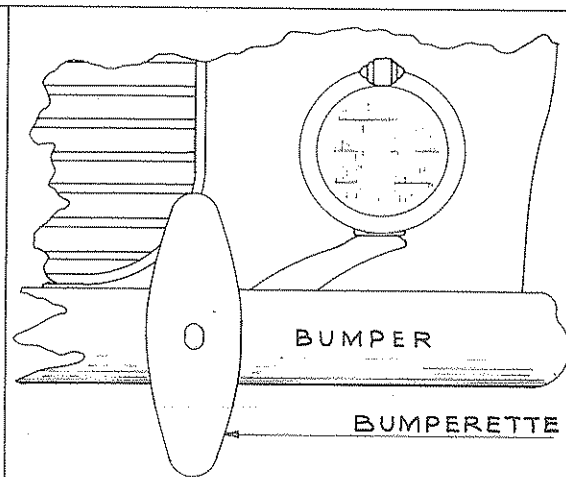


FIG. 3

1. Remove nuts and lock washers from the bolts attaching the bumper on to the bumper bar, located on the farthest ends of the bumper; (Fig. 1).

2. These brackets are in pairs, placing number 9002KL on the left hand side of the car and number 9002KR on the right; as in (Fig. 2).

3. Place 1/2" bolt through 1/2" hole in bracket where the offsets are made to fit the shape of the bumper bar and replace lock washer and nut; as in (Fig. 2).

4. Then attach lamp head, complete wiring installation and focus the lamps as set forth in enclosed instruction sheet.

