



NITE-EYES™ Worklights

Part No.: 8816-0100 or 8816-0101 - Chrome
Part No.: 8816-0102 or 8816-0103 - Black

A BRIGHT IDEA... FOR ANY VEHICLE!™

- Utilities
- Wreckers
- Construction
- Industrial
- Public Works
- Police, Fire, and Ambulance
- Agriculture
- Recreation
- Heavy-Duty Trucks
- Railroad
- Marine
- Camping/RV
- Farming

FOR ADDITIONAL INFORMATION

Visit us at

www.unityusa.com.

Information available on:

- The company
- Products
- Replacement parts
- Mounting templates
- Installation instructions
- Distributor Search
- Application Search



8816-0102



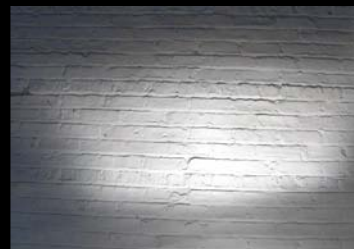
8816-0101

Unity Manufacturing has provided top quality emergency and auxiliary lighting products since 1918. Unity's 6" Round Worklights come in a rugged, high-impact ABS housing in chrome or black to provide unmatched performance, reliability, and durability. The Worklights utilizes either a U-H7609 (wide flood) or a U-H7619 (trapezoidal flood) clear halogen flood lamp. The U-H7609 is rated at 2,200 candlepower, 50 watts, and 400 hours lamp life. The U-H7619 is rated at 6,000 candlepower, 50 watts, and 400 hours lamp life. Unity's Worklights provide added safety by illuminating the work area thus offering greater visibility. They are great for any working truck including utilities, wreckers, construction, industrial, public works, police & fire, agriculture, and recreation vehicles.

DURABLE

- **Designed to pass leading OEM shaker and 1,000,000 mile durability tests!**
- **High impact ABS housing will not rust or corrode!**
- **Lamps are cushioned to dampen vibration for longer bulb life!**
- **Stainless Steel bracket and fasteners will not corrode!**

BEAM PATTERNS



Wide Flood Beam (U-H7609)



Trapezoidal Flood Beam (U-H7619)

NITE-EYES™ contain a GE sealed beam, part number H7609 or H7619. The trapezoidal beam shape is specially designed to elongate and provide controlled light while the wide flood provides light that spreads out all over. Both lamps will really illuminate your work area!

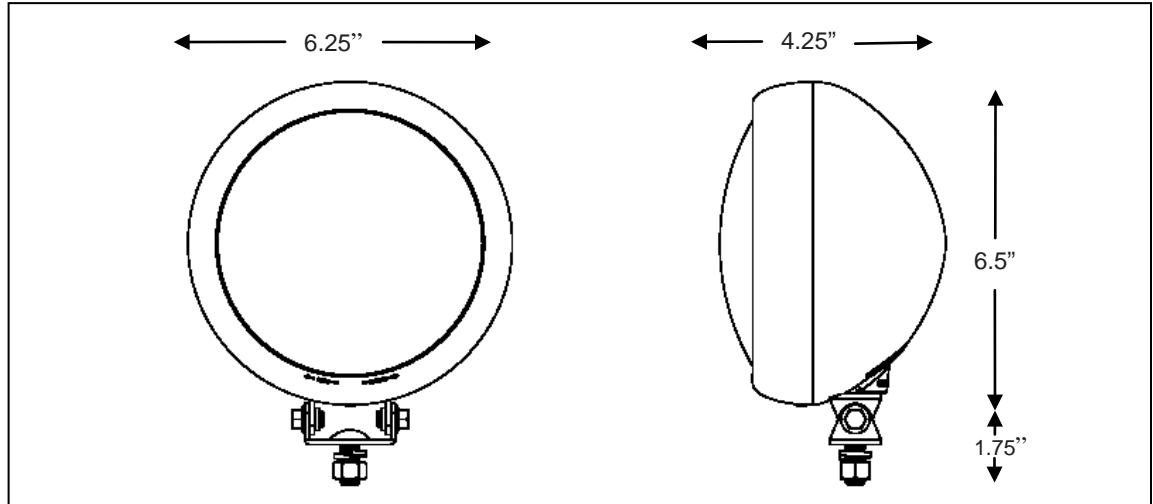


NITE-EYES™ Worklights

Part No.: 8816-0100 or 8816-0101 - Chrome
Part No.: 8816-0102 or 8816-0103 - Black



Dimensions



The Worklight, Part # 8816-0100, 8816-0101, 8816-0102, and 8816-0103 are 6.25" Wide X 6.5" High X 4.25" Deep. The light measures 7.575" high with the bracket from the mounting surface to the top of the light. The light comes with a swivel bracket that has an adjustment of $\pm 80^\circ$.

Part No.	Description	Part No.	Description
8816-0100	6" WORKLIGHT-FLOOD-CHROME	8816-0102	6" WORKLIGHT-FLOOD-BLACK
8816-0101	6" WORKLIGHT-TRAP-CHROME	8816-0103	6" WORKLIGHT-TRAP-BLACK

Specification

FEATURE	SPECIFICATION
Housing Material	6" round high impact ABS plastic
Finish	Chrome or Black finish
Lamp/Bulb	Clear Halogen lamp no. U-H7609, 50 Watts, 400 hours lamp life Clear Halogen lamp no. U-H7619, 50 Watts, 400 hours lamp life.
Dimensions	6.25" wide X 6.5" high X 4.25" deep
Voltage	12.8 Volts
Amperage	3.9 Amps
Candlepower	2,200 or 6,000 CP
Bracket	3605 Universal Mounting Bracket
Wiring	60" wire with bullet terminal

Features

- ABS Hi-Impact Plastic
- Clear halogen Sealed Beam Lamp
- 2,200 or 6,000 CP
- Swivel Bracket ($\pm 80^\circ$ Adjustable)
- 60" wire with bullet terminal
- Wide Flood or Trapezoidal Beam



UNITY
Unity Manufacturing Co.
1260 N. Clybourn Ave.
Chicago, IL 60610
Phone: 312-943-5200
Fax: 312-943-5681
E-mail: info@unityusa.com
Form: 143-WL6 2/10

REPLACEMENT PARTS

- 3605 Mounting Bracket
- 5547-0017 Chrome Shell
- 5547-019 Black Shell
- 8173 Chrome Ring
- 8173-0002 Black Ring
- U-H7609 Clear Halogen Flood Lamp
- U-H7619 Clear Halogen Flood Lamp

OTHER UNITY®

PRODUCTS

THE BEAM®

- Post-Mount Spotlights
- Rooflights
- Decklights

UNITY®HID

- Post-Mount Spotlight

NITE-EYES™

- Foglights
- Passing Lights
- Driving Lights
- Off-Road Lights
- Worklights

UNILITE™

- Hand-Held Spotlight

UNIBEACON™

- Rotating Warning Lights

EYE BEAM™

- Spotlight and Officer Warning System