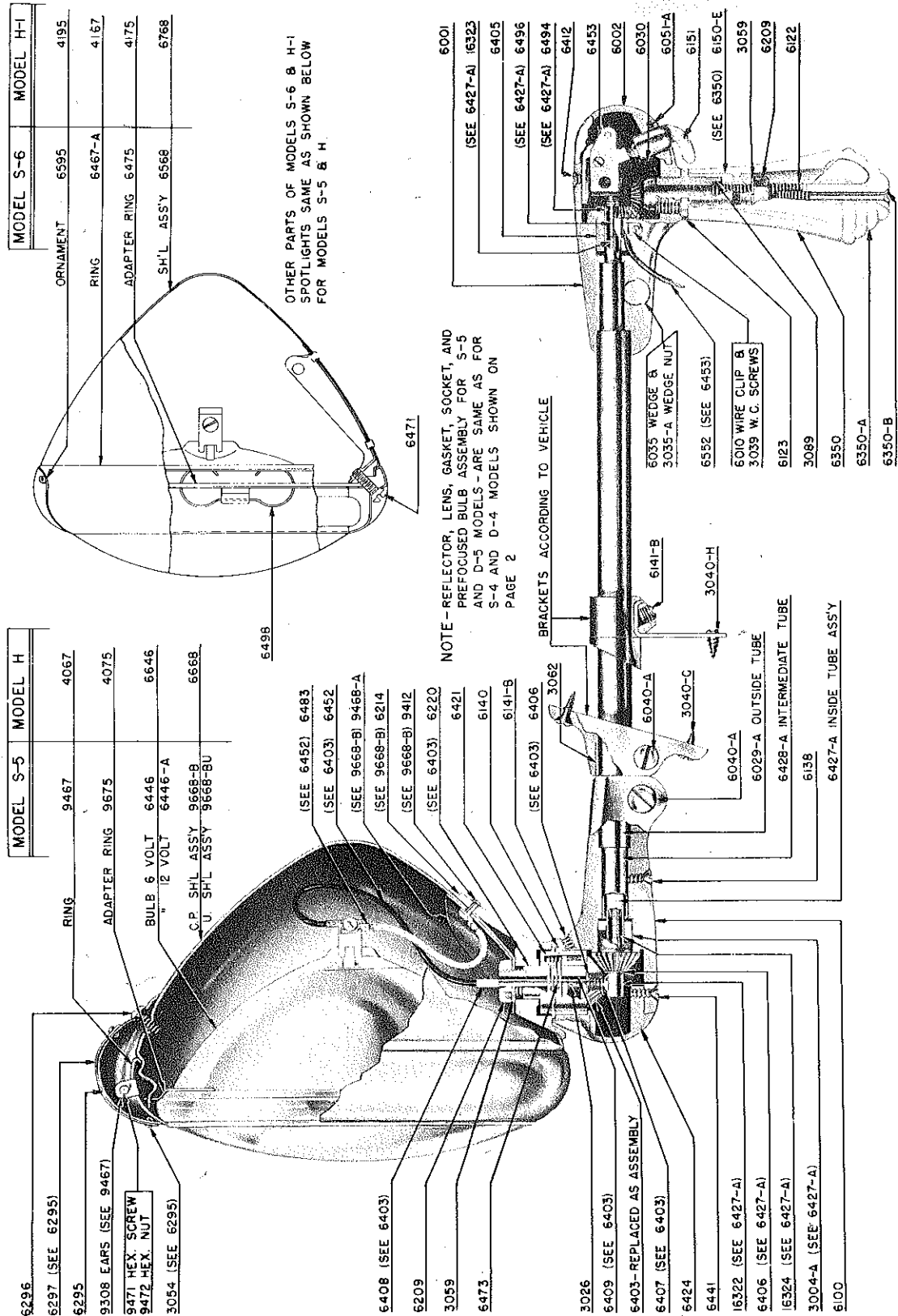


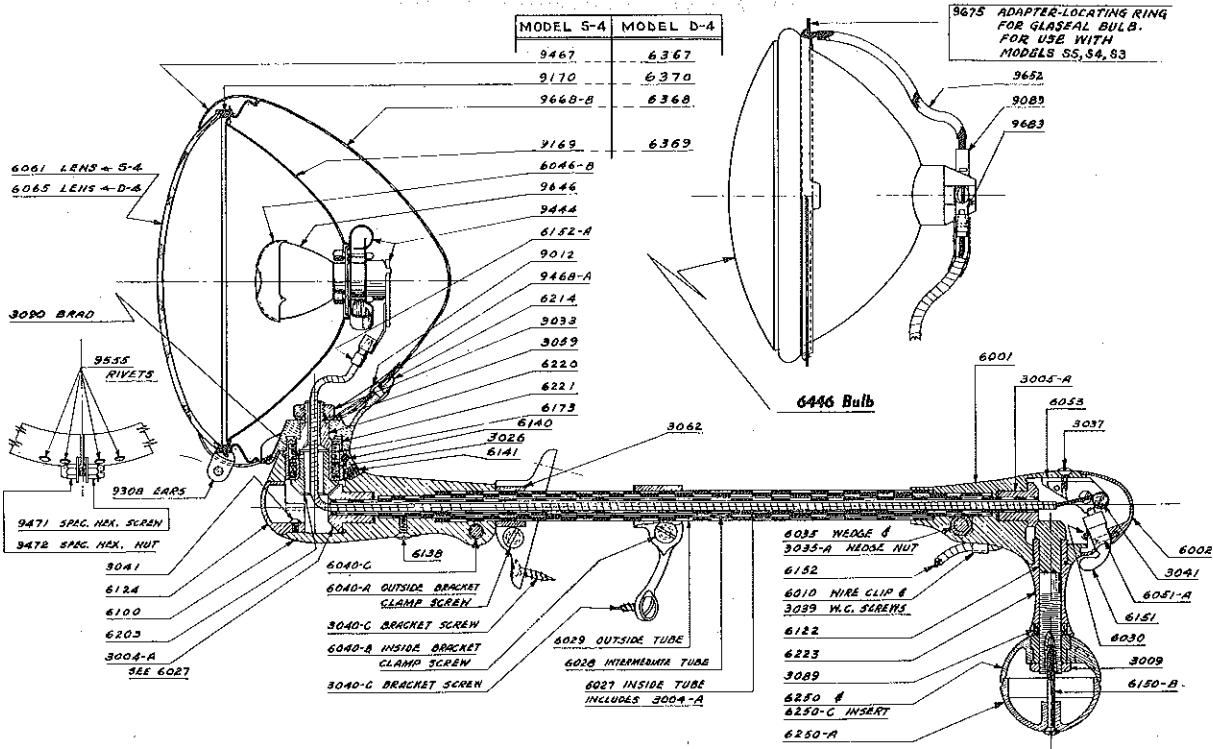
# Model S-5 & S-6 (No. 125-175 225-275) and Model H & H1 (No. 50) Glaseal Safetylights and Model D-5 Safetylight



SEE PAGES 3 and 4 FOR PRICES AND DESCRIPTIONS OF PARTS

**UNITY MANUFACTURING CO., 2909 Indiana Ave., CHICAGO 16, ILL.**

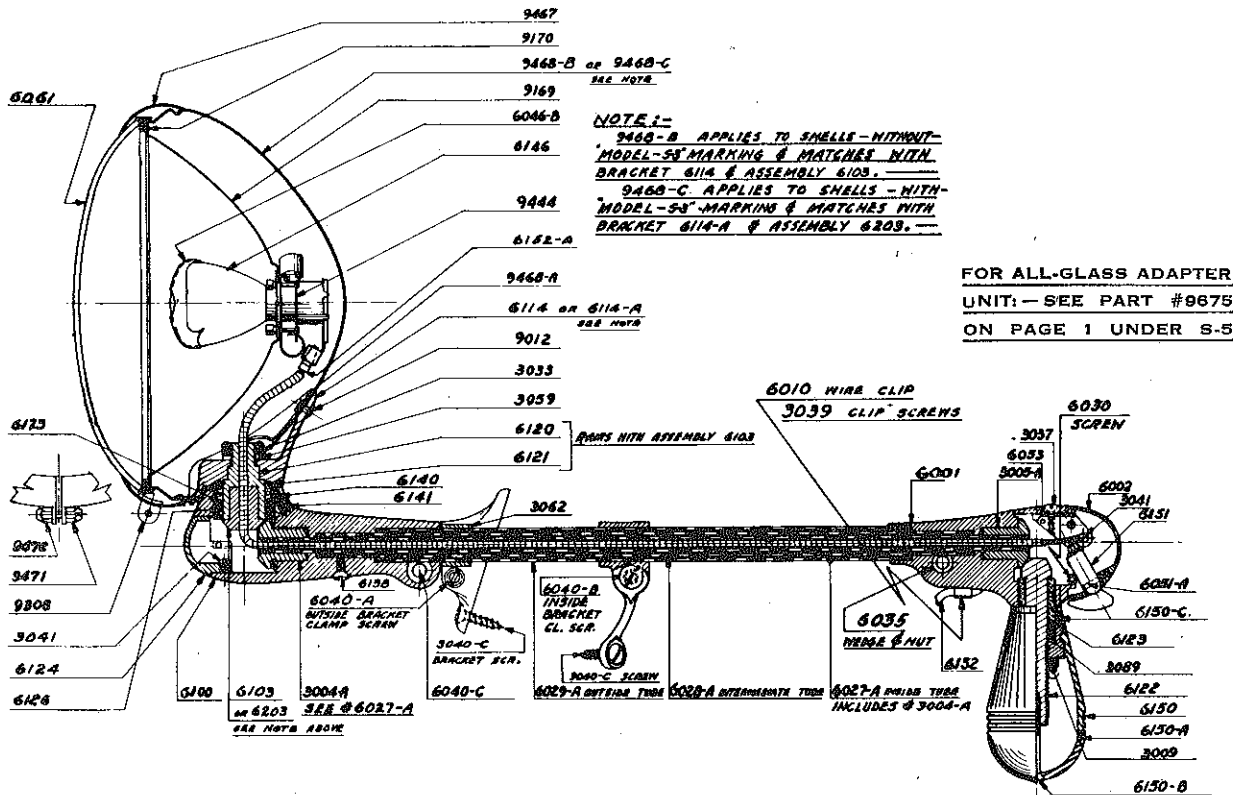
# Model S-4 and D-4 Safetylight—1939 to 1944



See New Handle and Shell Ornament on Page 1 on S-5

SEE PAGES 3 and 4 FOR PRICES AND DESCRIPTIONS OF PARTS

# Model S-3 Safetylight—1939 to 1944



See New Handle and Shell Ornament on Page 1 on S-5

SEE PAGES 3 and 4 FOR PRICES AND DESCRIPTIONS OF PARTS

Illustrations of all Unity Spotlights built since 1939 inclusive appear on Pages 1 and 2. Repair parts for Unity "Sportlights" built prior to 1934 and for "Safetylights" built from 1934 to 1939, are no longer available, except lenses and gaskets, which are listed below.

†—One Dagger before Parts Number indicates that such part is packed and labeled ONE TO A CARTON.

††—Two Daggers before Parts Number indicates that such part is packed and labeled in STANDARD PACKAGE OF TEN PIECES. Where less than ten of such parts are ordered, they are packed in marked paper bags.

Parts with no daggers before them are either individually wrapped or packed in marked paper bag.

N. B.—On Wholesale orders for Parts Only, totalling less than \$3.00 wholesale, a Service Charge of 25¢ will be added.

**EFFECTIVE MARCH 1, 1948**

**PARTS PRICES (U.S.A.) PLEASE ORDER BY PART NUMBER  
WHENEVER POSSIBLE, PLEASE ORDER IN STANDARD PACKAGE MULTIPLES.  
PRICES SUBJECT TO CHANGE WITHOUT NOTICE**

**GASKETS**

Part No.	Description	List Price
††3070	Synthetic Rubber Gasket, 1/8" thick, for all Sportlites and Model S, S1, S2, D & D1 Safetylights—19" long—cut to fit light.....	.23
††6370	Synthetic Rubber Gasket, 7/32" x 5/32", for S3, S4, S5, D4 & D5 and Model H Safetylights, 19 1/2" long—cut to fit light.....	.23
<b>BULBS Net—No Discount</b>		
Bayonet base type, Single Contact for Sportlites and S, S1, S2, D & D1 Safetylights		

Part No.	Description	List Price
6046	6-8 Volt, 32 C.P., Bulb No. 1133...	.25 net
6046-A	6-8 Volt, 50 C.P., Bulb No. 1183...	.27 net
6046-C	12-16 Volt, 32 C.P., Bulb No. 1143	.33 net
6046-D	12-16 Volt, 50 C.P., Bulb No. 1195	.45 net
<b>Prefocused type, single contact for S3, S4, S5 &amp; H Safetylights</b>		
6146	Substitute No. 9646.....	
6146-E	32 Volt, 50 C.P., Bulb No. 1057...	1.10 net
6146-G	24-28 Volt, 50 C.P.....	.95 net
9146-A	6-8 Volt, 50 C.P., Bulb No. 1503...	.35 net
9146-C	12-16 Volt, 32 C.P., Bulb No. 1327	.45 net
9146-D	12-16 Volt, 50 C.P., Bulb No. 1507	.55 net
9646	6-8 Volt, 32 C.P., Bulb No. 1209 or 1323.....	.34 net
9646-S	6-8 Volt, 32 C.P., Bulb No. 1209-S	.39 net

**SEALED BEAM TYPE**

4046-R	Red 6 Volt, 25 Watt, No. 4510-R for Model H & H1.....	2.20 net
6446	6 Volt, 30 Watt, No. 4535 for S3, S4, S5 Safetylights.....	1.75 net
6446-A	12 Volt, 30 Watt, No. 4435 for S3, S4, S5 Safetylights.....	2.25 net
6646	6 Volt, 30 Watt, No. 4515 for H & H1 Safetylight.....	1.75 net
9646-R	Red 6 Volt, 25 Watt, No. 4013-R for Model S3, S4, S5, S6.....	1.95 net

**LENSES**

<b>Clear—Crystal</b>		
†3048	Lens for Jr. Sportlite, 5 1/8" O.D.....	.58
†3061	Lens for Std. Sportlite, 5 3/4" O.D.....	.58
†3065	Lens for Deluxe Sportlite, 6 1/4" O.D.....	.58
†4048	Lens for "H" Safetylight 4 5/8" O.D.....	.58
†6048	Lens for J & J1 Safetylight, 5 1/8" O.D.....	.58
†6061	Lens for S, S1, 2, 3, 4, 5 Safetylights, 5 1/8" O.D.....	.58
†6065	Lens for D, D1, 4, 5 Safetylights, 6 1/4" O.D.....	.58

**LENSES—(Cont'd)**

Part No.	Description	List Price
<b>Clear Ruby Lenses</b>		
†3048-RP	Ruby "POLICE" lens, for Jr. Sportlite, 5 1/8" O.D.....	4.00
†3061-RP	Ruby "POLICE" lens, for Std. Sportlite, 5 3/4" O.D.....	4.00
†6048-R	Ruby Lens for J & J1 Safetylight 5 1/8" O.D.....	4.00
†6061-R	Ruby Lens for S, S1, 2, 3, 4, 5 Safetylights, 5 1/8" O.D.....	4.00
†6065-R	Ruby Lens for D, D1, 4, 5 Safetylights, 6 1/4" O.D.....	4.00

**FIRED CERAMIC COLORED LENSES WITH WHITE LETTERING**

†6061-BA	Blue Lens with "Cross" & "Ambulance"—for S, S1, 2, 3, 4, 5 Safetylights, 5 1/8" O.D.....	2.30
†6061-RP	Red Lens with "POLICE" for S, S1, 2, 3, 4, 5 Safetylights 5 1/8" O.D.....	2.30
†6061-RHP	Red Lens with "HIGHWAY PATROL", for S, S1, 2, 3, 4, 5 Safetylights, 5 1/8" O.D.....	2.30
†6061-RS	Red Lens with "SHERIFF", for S, S1, 2, 3, 4, 5 Safetylights, 5 1/8" O.D.....	2.30
†6065-RP	Red Lens with "POLICE", for D, D1, 4, 5 Safetylights, 6 1/4" O.D.....	2.30
†6065-RS	Red Lens with "SHERIFF", for D, D1, 4, 5 Safetylights, 6 1/4" O.D.....	2.30

When current supply of each above Clear Ruby and Fired Ceramic Lenses is exhausted, it will be discontinued and replaced by Red Sealed Beam Bulbs.

Part No.	Description	List Price
††3005-A	Gear with stop—18 teeth.....	.35
3009	Use No. 6209.....	
††3015	Outside Post Bracket Gasket.....	.12
††3026	Felt Washer.....	.07
3033	Use No. 6209.....	
††3037	Screw to Switch.....	.06
††3039	Wire Clip Screw.....	.06
††3040-C	P.K. Sheet Metal Bracket Screw.....	.07
††3041	Switch Contact Screw and Housing Plug Screw.....	.07
††3062	Shaft Sleeve for Bracket.....	.14
††3089	Felt Washer.....	.06
†4067	Ring for Model H, incl. #9471-2.....	1.38
†4075	Adapter Ring, incl. Ground Wire.....	1.50
†4167	Ring for Model H1, incl. 4195 Ornament.....	1.70
†4175	Adapter Ring for Model H1.....	.70
††4195	Ornament for Model H1.....	.40
†6001	Handle Housing Casting.....	2.76

**PARTS PRICES (U.S.A.) PLEASE ORDER BY PART NUMBER**  
**WHENEVER POSSIBLE, PLEASE ORDER IN STANDARD PACKAGE MULTIPLES.**  
**PRICES SUBJECT TO CHANGE WITHOUT NOTICE**

Part No.	Description	List Price	Part No.	Description	List Price
††6002	Switch Cap Assembly, incl. Part Nos. 6051-A, 6151 & 2-6030.....	1.27	††6421	Bushing, Head Post.....	.69
††6010	Wire Clip.....	.06	††6424	Plug, Head Housing.....	.35
††6023	Handle Sleeve and Bushing.....	1.04	†*6427-A	Inside Tube, incl. Parts 3004-A, 6406, 6494, 6496, 16322, 16323, 16324-12" overall.....	1.96
†*6027	Inside Tube and Gear—12¼" overall, ½" O.D. tube & 18 tooth gear.....	1.38	†*6427-B	Inside Tube incl. Parts 3004-A, 6406, 6494, 6496, 16322, 16323, 16324, 10¼" overall for S-5, D-5 Utility Lights.....	1.96
†*6027-A	Inside Tube and Gear—11½" overall, ½" O.D. tube & 18 tooth gear.....	1.38	†*6427-H	Inside Tube Assy., incl. 3004-A, 6406, 6494, 6496, 16322, 16323, 16324—11⅜" overall.....	1.96
†*6027-B	Inside Tube and Gear—9¾" overall, ½" O.D. tube & 18 tooth gear.....	1.38	†*6428-A	Intermediate Tube—9⅞" overall.....	.81
†*6027-D	Inside Tube and Gear—10⅞" overall, ½" O.D. tube & 18 tooth gear.....	1.38	†*6428-B	Intermediate Tube, 8⅞" overall, for S-5 & D-5 Utility Lights, milled faces opposite.....	.81
†*6028	Intermediate Tubing—10⅞" overall.....	.69	†*6428-BC	Same as 6428-B, except for short corner post lights, milled faces together.....	.81
†*6028-A	Substitute Part No. 6428-A.....		†*6428-H	Intermediate Tube, 9¼" overall.....	.81
†*6028-B	Substitute Part No. 6428-B.....		††6441	Screw, Plug—4.36 x ⅜" oval head.....	.06
†*6028-D	Intermediate Tubing—8⅞" overall.....	.69	††6453	Switch Assy. for S5, S6, H & H1, including #6552 wire.....	1.38
†*6029	Outside Tubing—8⅞" overall.....	1.27	†6467	Ring for Model S6, including 6595 Ornament.....	1.70
†*6029-A	Outside Tubing—7⅞" overall.....	1.27	††6471	Ring Screw.....	.06
†*6029-B	Outside Tubing—6⅞" overall.....	1.27	††6473	Head Post Spring.....	.14
†*6029-D	Outside Tubing—6⅞" overall.....	1.27	†6475	Adapter Ring for Model S-6.....	.70
†*6029-H	Outside Tubing—7¼" overall.....	1.27	††6498	Lock Spring for Adapter Ring.....	.06
††6030	Screw for Cap.....	.06	6568	Shell Assy. for S6, including Shell Bracket & Reinforcing Plate.....	4.14
††6035	Handle Wedge and Nut.....	.23	6591	Fuse Holder, complete with 14 Amp. Fuse.....	.35
††6040	Horizontal Friction Screw.....	.12	6595	Ornament for Model S-6.....	.40
††6040-A	Outside Bracket Clamp Screw—⅞" long.....	.12	†6668	Shell Assembly, incl. shell bracket, Reinforcing Plate & Ground Wire.....	4.14
††6040-B	Inside Bracket Clamp Screw—⅜" long.....	.12	6768	Shell Assembly incl. Shell Bracket & Reinforcing Plate.....	4.14
6040-C	Substitute No. 6040-A.....		9169	Reflector for S-3, S-4 & S-5 Light.....	2.07
††6046-B	Bulb Shield.....	.23	††9444	Bulb Socket.....	.58
††6051-A	Toggle Screw only.....	.06	†9467	Ring for Model S-4 & S-5, incl., 9471-2.....	1.38
††6053	Switch Assembly.....	.58	9468-B	Shell Assy., incl. 6114 & 9468-A.....	4.14
†6100	Lamp Housing Casting.....	2.76	9468-C	Shell Assy., incl. 6114-A & 9468-A.....	4.14
††6103	Shoulder Post Assembly, including 3003-A, 18 tooth gear, 6120 and 6126.....	1.15	††9471-2	Ring Screw and Nut, 8-32 x ⅜".....	.14
6120	Shoulder Post—See 6103.....		9668-B	Shell Assembly, Model S-4 and S-5, including Parts Nos. 6214 and 9468-A.....	4.14
††6121	Shoulder Bushing.....	.69	9668-BU	Shell Assy. for Utility Light, incl. Shell Bracket & Reinforcing Plate.....	4.14
††6122	Handle Shaft and Pinion Gear—12 teeth—tapped end.....	.81	†9675	Adapter Locating Ring, including Ground Wire.....	1.50
††6123	Handle Sleeve and Bushing.....	.92	All Brackets, except No. 100-7.....	2.25 Set	
††6124	Lamp Housing Plug.....	.35	Outside Bracket.....	1.35	
††6138	Intermediate Tube Lock Screw.....	.06	Inside Bracket.....	.90	
††6140	Wedge Pin.....	.06	Open Car Brackets.....	2.25	
††6141-B	Vertical Friction Set Screw.....	.06	Bracket No. 100-7—Roof Mounting.....	4.14 Set	
6150			Bracket Locating Fixture and Pointer.....	1.50 net	
6150-A	Substitute Parts 6350, 6350A & 6350B.....		Special ½" Twist Drill Bit—10" Long.....	4.90 net	
6150-B			Resilvering Reflector.....	1.25 net	
††6151	Switch Toggle only.....	.41			
†6152	Outside Wire.....	.40			
†6152-A	Inside Wire.....	.46			
†6152-B	Inside Wire for Utility Spotlight.....	.46			
††6173	Shoulder Spring.....	.07			
††6203	Shoulder Post Assy., incl. 3003-A, 18 tooth gear, 6220 and 3026.....	1.15			
††6209	Nut for Handle & Shoulder Post.....	.12			
6220	Head Post—See No. 6203 or 6403.....				
††6221	Shoulder Bushing.....	.69			
6223	Substitute Part No. 6023.....				
†6250	Upper Section Ball Handle & Insert 6150-C.....	.69			
††6250-A	Lower Section Ball Handle.....	.35			
††6295	Shell Ornament, complete with Unity Name Plate #6297.....	.92			
††6296	Shell Ornament Attaching Screw.....	.07			
†6350	Upper Section of Handle & Insert #6350-E.....	.69			
††6350-A	Lower Section of Handle.....	.35			
††6350-B	Handle Screw.....	.07			
†6367	Ring for D-4 and D-5 Light, incl. #9471-2.....	1.61			
6368	Substitute S-5 Head Assembly.....				
†6368-U	Substitute S-5 Utility Head Assy.....				
6369	Reflector for D-4 and D-5 Light.....	2.07			
††6403	Head Post & Gear Assy., incl. Nos. 3026, 3073A, 6220, 6403, 6406, 6407, 6408, 6409 & 6552 Wire.....	1.73			
††6405	Gear, Handle End Inside Tube.....	.35			
6406					
6407	See No. 6403.....				
6408					
6409					
††6412	Screw to Switch.....	.06			

**SUB-ASSEMBLIES**

Head Assembly, includes Shell Assembly, Adapter Ring, Glaseal Bulb, Ring & Ornament—Order by Model and Voltage.	
Model S-5, S-6 or H—6 Volt.....	9.66
Model S-5 or S-6—12 Volt.....	10.16
Head Casting and Tube Assembly, includes Head Casting & three tubes—Order by overall tube length—11"—12⅞"—12¾"—also whether for corner post or roof mounting light.....	6.80
Handle Casting & Handle Assy., includes Handle Casting, Switch, Switch Cap, Handle Gear, Shaft & Pinion Gear, Sleeve & Bushing and complete Plastic Handle; specify whether for S-3, S-4, S-5, S-6, D-4, D-5, H, H1 Light.....	7.91
Complete set of Screws and Nuts for Spotlight, Specify Model of Light.	
Model S-3, S-4, D-4.....	1.77
Model S-5, D-5.....	1.62
Model S-6, H1.....	1.47

\* If other length tubes are desired—add \$1.00 list per foot, or part thereof, per tube and specify overall length wanted.