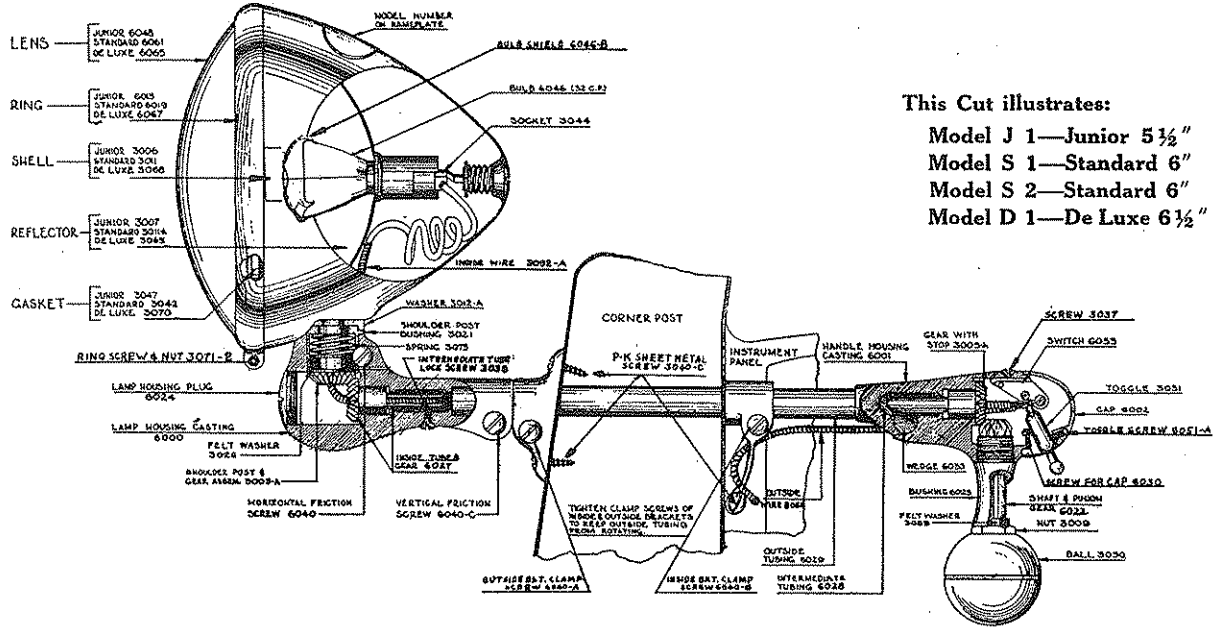


Model J-1, S-1, S-2 and D-1 Safetylight

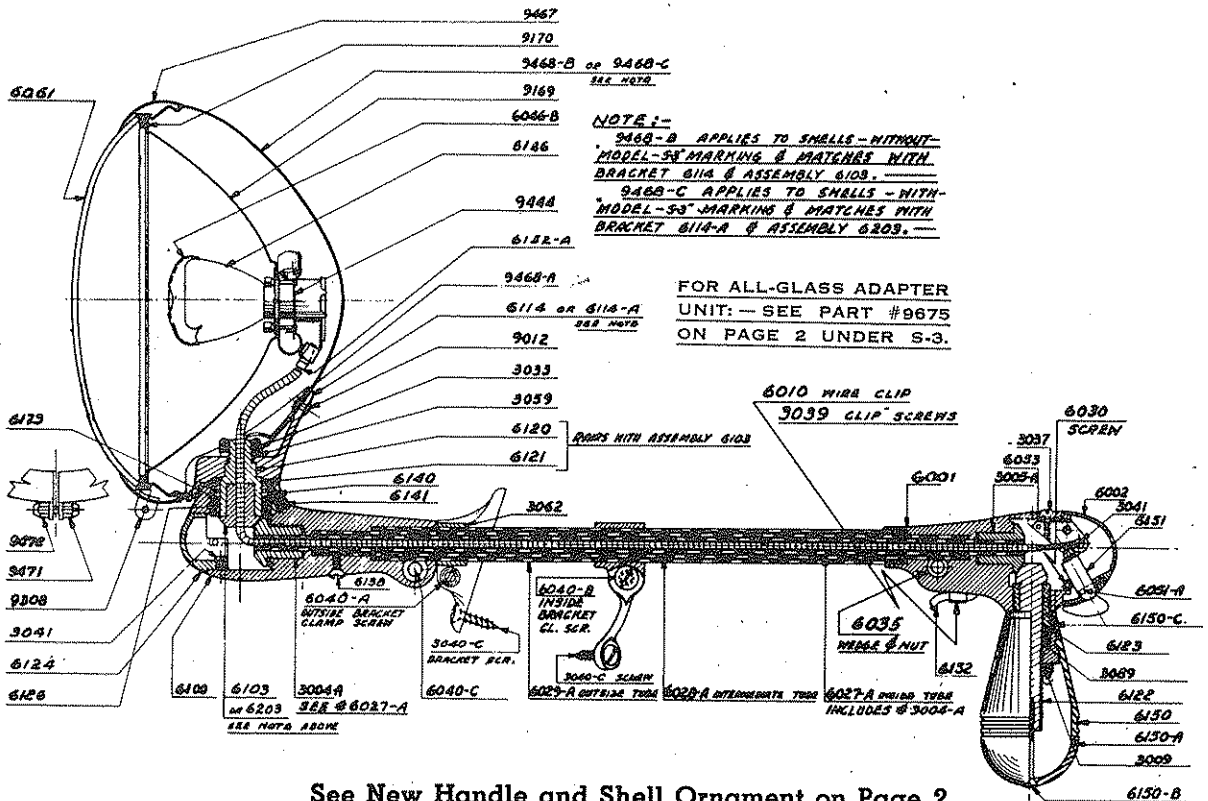


NOTE: Models "J" "S" "D".—Same as cut shown except use old handle housing as illustrated on Spotlight Cut. Safetylight without model number on name plate has old lamp and handle castings as illustrated on Spotlight Cut.

See Spotlight Cut on Page 3

SEE PAGES 3 and 4 FOR PRICES AND DESCRIPTIONS OF PARTS

Model S-3 Safetylight

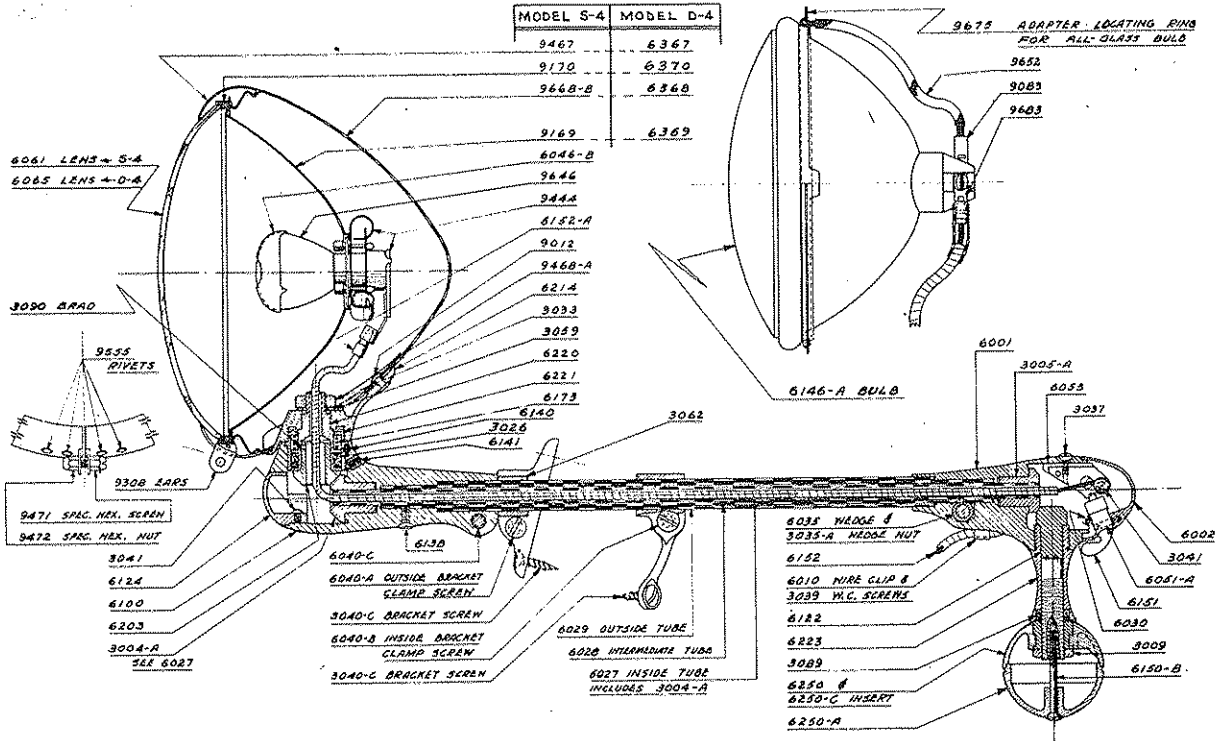


See New Handle and Shell Ornament on Page 2

SEE PAGES 3 and 4 FOR PRICES AND DESCRIPTIONS OF PARTS

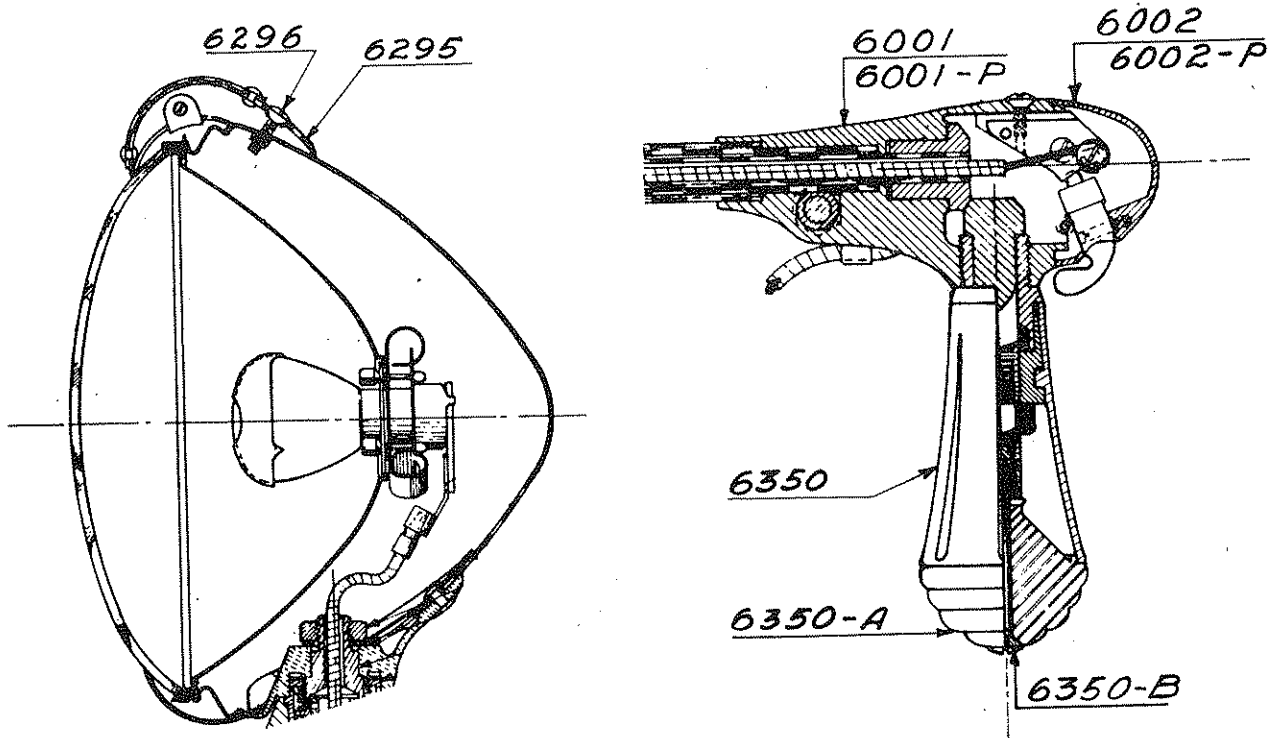
UNITY MANUFACTURING CO., 2909 Indiana Ave., CHICAGO, ILL.

Model S-4 (No. 100 & 150) and D-4 (No. 200 & 250) Safetylight



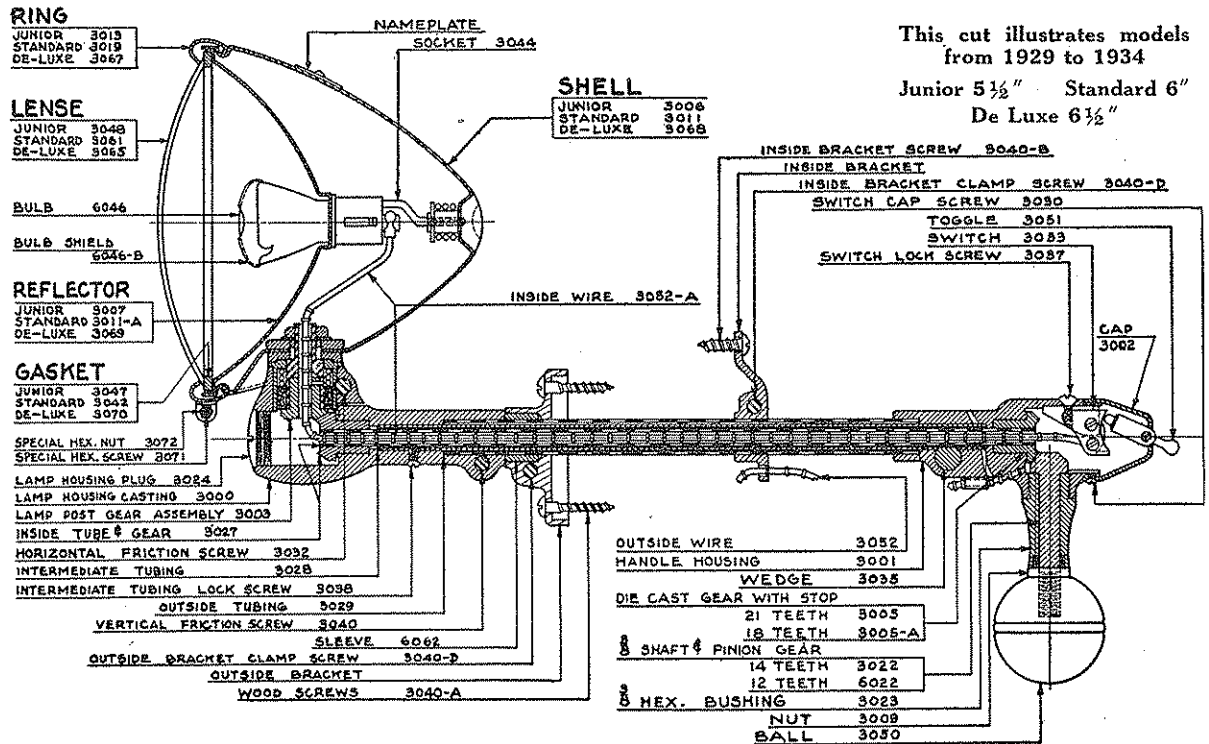
SEE PAGES 3 and 4 FOR PRICES AND DESCRIPTIONS OF PARTS

Below Are Illustrations Showing Parts Numbers of Shell Ornaments and New Handles For S-3, S-4 and D-4 Models



SEE PAGES 3 and 4 FOR PRICES AND DESCRIPTIONS OF PARTS

Junior, Standard, DeLuxe Sportlights



NOTE: On older models please send light directly to factory. Estimate on cost of repairs will be sent. No labor charge will be made at factory on such repair jobs.

Parts Prices (U.S.A.)

PLEASE ORDER BY PART NUMBER — PRICES SUBJECT TO CHANGE WITHOUT NOTICE.

Part No.	List	Part No.	List		
3000	Lamp housing casting.....	\$2.00	3032	Horizontal Friction screw.....	.06
3001	Handle housing casting.....	2.00	3033	Nut for Shoulder Post.....	.10
3002	Switch Cap assembly (Incl. 3051 toggle & 2-3030 screws).....	.90	3035	Handle Wedge & Nut.....	.15
3003	Lamp Post Gear Assembly— 21 teeth.....	.60	3037	Screw to Switch.....	.01 net
3003-A	Shoulder Post Gear assembly— 18 teeth.....	.60	3038	Intermediate tube lock screw.....	.01 net
3005	Gear with stop—21 teeth.....	.25	3039	Wire Clip Screws.....	.01 net
3005-A	Gear with stop—18 teeth.....	.25	3040	Vertical friction screw.....	.06
3006	Shell for Jr. Sportlight & J & J-1 5 1/2".....	2.00	3040-A	Wood screw—3/8" long.....	.06
3007	Reflector for Jr. Sportlight & J & J-1, 5 1/2".....	1.50	3040-B	Wood screw—1/8" long.....	.06
3009	Handle Lock Nut.....	.15	3040-C	P.K. Sheet Metal Bracket Screw.....	.05
3011	Shell for Std. Sportlight and S & S-1, 6".....	2.50	3040-D	Bracket clamp screw.....	.06
3011-A	Reflector for Std. Sportlight and S & S-1, 6".....	1.50	3041	Switch Contact Screw & Housing Plug Screw.....	.05
3013	Ring for Jr. Sportlight, incl. #3071-2.....	.90	3042	Synthetic Rubber Gasket, Std. Sport- light and S & S-1, 1/8" Thick.....	.16
3019	Ring for Std. Sportlight, incl. #3071-2.....	1.00	3044	Bulb socket.....	.30
3021	Shoulder Bushing.....	.35	3047	Synthetic Rubber Gasket, Jr. Sport- light and J & J-1, 1/8" Thick.....	.15
3022	Handle shaft & pinion gear—14 teeth.....	.60	3048	Lens for Jr. Sportlight, 5 1/2" O.D.....	.40
3023	Handle sleeve & bushing.....	.30	3048-RP	Clear Ruby Lens with "POLICE" on inside face—for Jr. Sportlight.....	3.00
3024	Lamp housing plug.....	.25	3050	Handle Ball—Specify Color—1 Piece.....	.75
3026	Felt Washer.....	.05	3051	Switch toggle only.....	.30
3027	Inside tube & gear—1 1/2" overall, 3/8" O.D. tube & 21 tooth gear.....	1.00	3052	Outside wire.....	.35
3029	Outside tubing—8 1/8" overall.....	.90	3052-A	Inside wire.....	.35
3029-A	Outside tubing—7 1/8" overall.....	.90	3053	Switch assembly.....	.40
3030	Switch cap screw.....	.01 net	3059	Lock Washer for Shoulder Bushing.....	.01 net
			3061	Lens for Std. Sportlight, 5 3/4" O. D.....	.40
			3061-RP	Clear Ruby Lens with "POLICE" on inside face—for Std. Sportlight.....	3.00
			3062	Shaft sleeve for Bracket.....	.10
			3065	Lens for Deluxe Sportlight 6 1/4" O. D.....	.40

PARTS LIST CONTINUED ON PAGE 4

Parts Prices (U. S. A.)—CONTINUED

PLEASE ORDER BY PART NUMBER—PRICES SUBJECT TO CHANGE WITHOUT NOTICE.

Part No.	List	Part No.	List
3067	Ring for Deluxe Sportlight, incl. #3071-2	6065-R	Clear Ruby Lens, 6 1/4" Diameter
3068	Shell for Deluxe Sportlight and D & D-1 Lights	6065-RP	Clear Ruby Lens, with "POLICE" on inside face—6 1/4"
3069	Reflector for Deluxe Sportlight and D & D-1 Lights	6065-RS	Clear Ruby Lens with "SHERIFF" on inside face—6 1/4"
3070	Synthetic Rubber Gasket, D & D-1 1/8" Thick	6067	Ring for D & D-1 light, Incl. #3071-2
3071-2	Ring screw & nut, 8-32 x 3/8"	6100	Lamp Housing Casting
3073	Shoulder Spring	6103	Shoulder Post Assembly, including 3003-A, 18 tooth gear, 6120 & 6126
3089	Felt Washer	6120	Shoulder Post—See 6103
6000	Lamp Housing casting	6121	Shoulder Bushing
6001	Handle Housing Casting	6122	Handle Shaft & Pinion Gear—12 teeth—tapped end
6001-P	Plastic Handle Housing Casting	6123	Handle Sleeve & Bushing
6002	Switch Assembly, including Parts Nos. 6051-A, 6151 & 2-6030	6124	Lamp Housing Plug
6002-P	Same as 6002, with Plastic Cap	6138	Intermediate Tube Lock Screw
6010	Wire Clip	6140	Wedge Pin
6013	Ring for J & J-1 light incl. #3071-2	6141	Vertical Friction Set Screw
6019	Ring for S & S-1 light incl. #3071-2	6141-W	Wrench for Set Screw #6141
6022	Handle Shaft & Pinion Gear—12 teeth	6146	6-8 Volt, 32 C.P. Bulb, Mazda 1323
6022-A	Handle Shaft & Pinion—1 7/8" overall	6150	Upper Sec. Handle & Insert 6150-C
6023	Handle sleeve & bushing	6150-A	Lower Section Handle
6023-A	Handle Sleeve & Bushing—3/4" overall	6150-B	Handle Screw
6024	Lamp Housing plug	6151	Switch Toggle only
*6027	Inside tube & gear—12 1/4" overall, 3/8" O.D. tube & 18 tooth gear	6152	Outside Wire
*6027-A	Inside tube & gear—11 1/2" overall, 3/8" O.D. tube & 18 tooth gear	6152-A	Inside Wire
*6027-B	Inside tube & gear—9 3/4" overall, 3/8" O.D. tube & 18 tooth gear	6173	Shoulder Spring
*6027-D	Inside tube & gear—10 3/8" overall, 3/8" O.D. tube & 18 tooth gear	6203	Shoulder Post Assem., incl. 3003-A, 18 tooth gear, 6220 & 3026
*6028	Intermediate tubing—10 5/8" overall	6220	Shoulder Post—See #6203
*6028-A	Intermediate tubing—9 7/8" overall	6221	Shoulder Bushing
*6028-B	Intermediate tubing—8 1/8" overall	6223	Handle Sleeve & Bushing
*6028-D	Intermediate tubing—8 1/8" overall	6250	Upper Section Ball Handle & Insert 6150-C
*6029	Outside tubing—8 5/8" overall	6250-A	Lower Section Ball Handle
*6029-A	Outside tubing—7 7/8" overall	6295	Shell Ornament, complete with Unity Name Plate
*6029-B	Outside tubing—6 1/8" overall	6296	Shell Ornament Attaching Screw
*6029-D	Outside tubing—6 1/8" overall	6350	Upper Section of Handle and insert #6350-C
6030	Screw for cap	6350-A	Lower Section of Handle
6035	Handle wedge & nut	6350-B	Handle Screw
6040	Horizontal Friction Screw	6367	Ring for D-4 Light, Incl. #9471-2
6040-A	Outside Bracket clamp screw—1 1/8" long	6368	Shell Assembly for D-4 Light—incl. Parts Nos. 6214 & 9468-A
6040-B	Inside Bracket clamp screw—3/8" long	6369	Reflector for D-4 Light
6040-C	Vertical Friction screw	6370	Synthetic Rubber Gasket for D-4, 1/8" Thick
6046	6-8 volt—32 c.p. bulb No. 1133	9146-A	6-8 Volt, 50 C.P. Bulb, Mazda 1503
6046-A	6-8 volt—50 c.p. bulb No. 1183	9146-C	12-16 Volt, 32 C.P. Bulb, Maz. 1327
6046-B	Bulb shield	9146-D	12-16 Volt, 50 C.P. Bulb, Maz. 1507
6046-C	12-16 volt—32 c.p. bulb No. 1143	9169	Reflector for S-4 Light
*6046-D	12-16 volt—50 c.p. bulb No. 1195	9170	Synthetic Rubber Gasket—S-3, S-4, 1/8" Thick
6046-E	32 volt—50 c.p. bulb (R.P.11)	9444	Bulb Socket
6048	Lens for J & J-1 light, 5 1/8" O.D.	9467	Ring for Model S-4, inc. 9471-2
6048-R	Clear red lens for Model J & J-1 light	9468-B	Shell Assem., incl. 6114 & 9468-A
6051-A	Toggle Screw only	9468-C	Shell Assem. incl. 6114-A & 9468-A
6053	Switch assembly	9471-2	Ring Screw & Nut—10-32 x 7-16
6061	Lens for S-1-2-3-4 Lights, 5 1/8" Diam.	9646	6-8 Volt, 32 C.P. Bulb, Mazda 1323
6061-A	Clear Amber Lens, 5 1/8" Diameter	9668-B	Shell Assembly, Model S-4, including Parts Nos. 6214 & 9468-A
6061-R	Clear Ruby Lens, 5 1/8" Diameter	9675	Adaptor Locating Ring, including Ground Wire #9652 and Terminals No. 9083 & Two No. 9683
6061-RP	Clear Ruby Lens with "POLICE" on inside face—5 1/8"	All Brackets, except No. 100-7	1.75 Set
6061-RS	Clear Ruby Lens with "SHERIFF" on inside face—5 1/8"	Outside Bracket	1.00
6061-RHP	Clear Ruby Lens with "HIGHWAY PATROL" on inside face—5 1/8" Diameter	Inside Bracket	.75
6061-RPS	Clear Ruby Lens, with "POLICE STOP" on inside face—5 1/8" Diameter	Open Car Brackets	1.75
6065	Lens for D, D-1, D-4 Lights, 6 1/4" Diameter	Bracket No. 100-7	3.00 Set
6065-A	Clear Amber Lens, 6 1/4" Diameter	Bracket Locating Fixture & Pointer	1.50 net
		Special 1/2" Twist Drill Bit—10" Long	3.50 net
		Resilvering Reflector	1.00 net

On Jobber orders for Parts Only, totaling less than \$3.00 wholesale, a service charge of 25¢ will be added.

* If other length tubes are desired—add 50¢ list per tube and specify overall length wanted.

UNITY MANUFACTURING CO., 2909 Indiana Ave., CHICAGO, ILL.