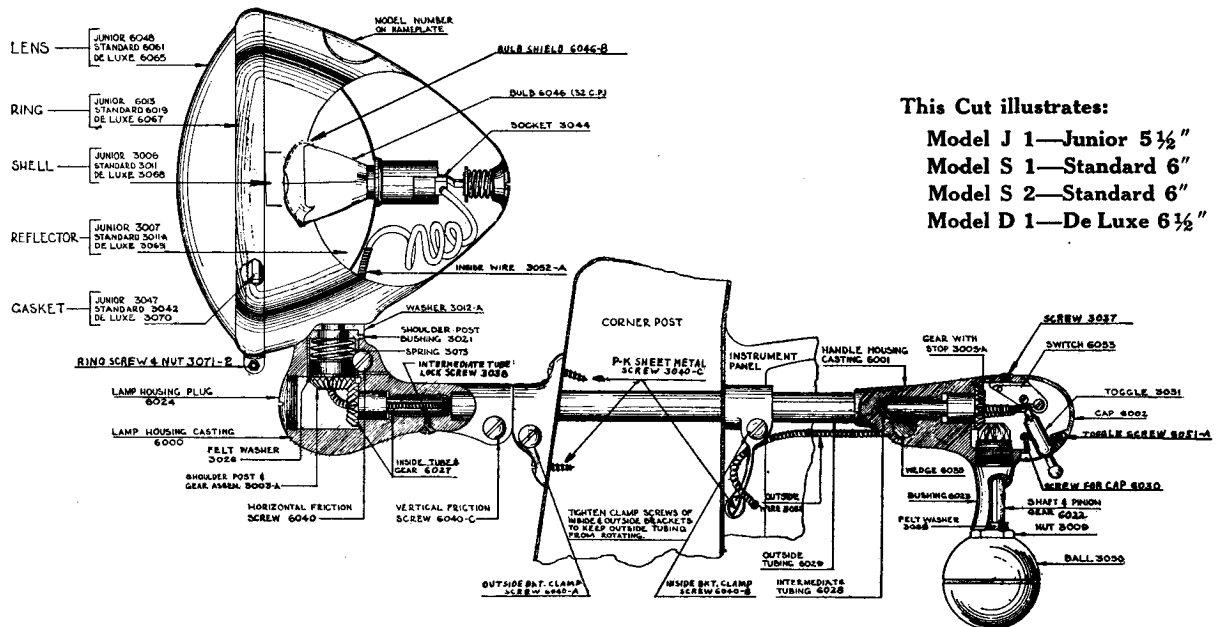


Parts Prices (U.S.A.) for Model S-1 & S-2 Safetylight



This Cut illustrates:

- Model J 1—Junior 5½"
- Model S 1—Standard 6"
- Model S 2—Standard 6"
- Model D 1—De Luxe 6½"

Part No.	Description	Price
3003-A	Shoulder Post Gear assembly— 18 teeth	.60
3005-A	Gear with stop—18 teeth	.25
3006	Shell for Model J-J-1 Light 5½"	2.00
3007	Reflector for Model J & J-1 5½"	1.50
3009	Handle Lock Nut	.15
3011	Shell for Model S & S-1 light 6"	2.50
3011-A	Reflector for Model S & S-1 6" light	1.50
3021	Shoulder Bushing	.35
3037	Screw to Switch	.01 net
3038	Intermediate tube lock screw	.01 net
3040-C	P.K. Sheet Metal Bracket Screw	.05
3042	Gasket for Model S & S-1 light	.16
3044	Bulb socket	.30
3047	Gasket for Model J & J-1 light	.15
3050	Handle Ball—Specify Color—1 Piece	.75
3051	Switch toggle only	.30
3052	Outside wire	.35
3052-A	Inside wire	.35
3062	Shaft sleeve for Bracket	.10
3068	Shell for Model D & D-1 light	3.00
3069	Reflector for Model D & D-1 light	1.50
3070	Gasket for Model D & D-1 light	.17
3071-2	Ring screw & nut	.10
3073	Shoulder Spring	.05
6000	Lamp Housing casting	2.00
6001	Handle Housing Casting	2.00
6002	Switch cap assembly, incl. No. 3051 & No. 6030	.90
6013	Ring for J & J-1 light incl. # 3071-2	.90
6019	Ring for S & S-1 light incl. # 3071-2	1.00
6022	Handle Shaft & Pinion Gear—12 teeth	.60
6022-A	Handle Shaft & Pinion—1⅞" overall	.60
6023	Handle sleeve & bushing	.30
6023-A	Handle Sleeve & Bushing—¾" overall	.30
6024	Lamp Housing plug	.25
*6027	Inside tube & gear—12¼" overall, ⅜" O.D. tube & 18 tooth gear	1.00
*6027-A	Inside tube & gear—11½" overall, ⅜" O.D. tube & 18 tooth gear	1.00
*6027-B	Inside tube & gear—9¾" overall, ⅜" O.D. tube & 18 tooth gear	1.00
*6027-D	Inside tube & gear—10⅞" overall, ⅜" O.D. tube & 18 tooth gear	1.00
*6028	Intermediate tubing—10⅝" overall	.50
*6028-A	Intermediate tubing—9⅞" overall	.50
*6028-B	Intermediate tubing—8⅞" overall	.50

Part No.	Description	Price
*6028-D	Intermediate tubing—8⅞" overall	.50
*6029	Outside tubing—8⅞" overall	.90
*6029-A	Outside tubing—7⅞" overall	.90
*6029-B	Outside tubing—6⅞" overall	.90
*6029-D	Outside tubing—6⅞" overall	.90
6030	Screw for cap	.01 net
6035	Handle wedge & nut	.15
6040	Horizontal Friction Screw	.06
6040-A	Outside Bracket clamp screw— ⅜" long	.06
6040-B	Inside Bracket clamp screw— ⅜" long	.06
6040-C	Vertical Friction screw	.06
6046	6-8 volt—32 c.p. bulb No. 1133	.19 net
6046-A	6-8 volt—50 c.p. bulb No. 1183	.40 net
6046-B	Bulb shield	.15
6046-C	12-16 volt—32 c.p. bulb No. 1143	.55 net
6046-D	12-16 volt—50 c.p. bulb No. 1195	.65 net
6046-E	32 volt—50 c.p. bulb (R.P.11)	1.20 net
6048	Lens for J & J-1 light, 5⅜" O.D.	.40
6048-R	Clear red lens for Model J & J-1 light	1.75
6051-A	Toggle Screw only	.01 net
6053	Switch assembly	.40
6061	Lens for S & S-1 light, 5¾" O.D.	.40
6061-A	Clear Amber lens for Model S & S-1 light	1.10
6061-R	Clear Red lens for Model S & S-1 light	1.75
6065	Lens for D & D-1 light, 6¼" O.D.	.40
6065-A	Clear Amber lens for Model D & D-1 light	1.10
6065-R	Clear Red lens for Model D & D-1 light	1.75
6067	Ring for D & D-1 light, Incl. #3071-2	1.10
*****	Resilvering Reflector	1.00
	All Brackets, except No. 100-7	1.75 Set
	Outside Bracket	1.00
	Inside Bracket	.75
	Open Car Brackets	1.75
	Bracket No. 100-7	3.00 Set
	Bracket Locating Fixture & Pointer	1.50 net
	Special ½" Twist Drill Bit—10" Long	3.50 net

On Jobber Orders for Parts Only, totaling less than \$3.00 wholesale, a service charge of 25¢ will be added.

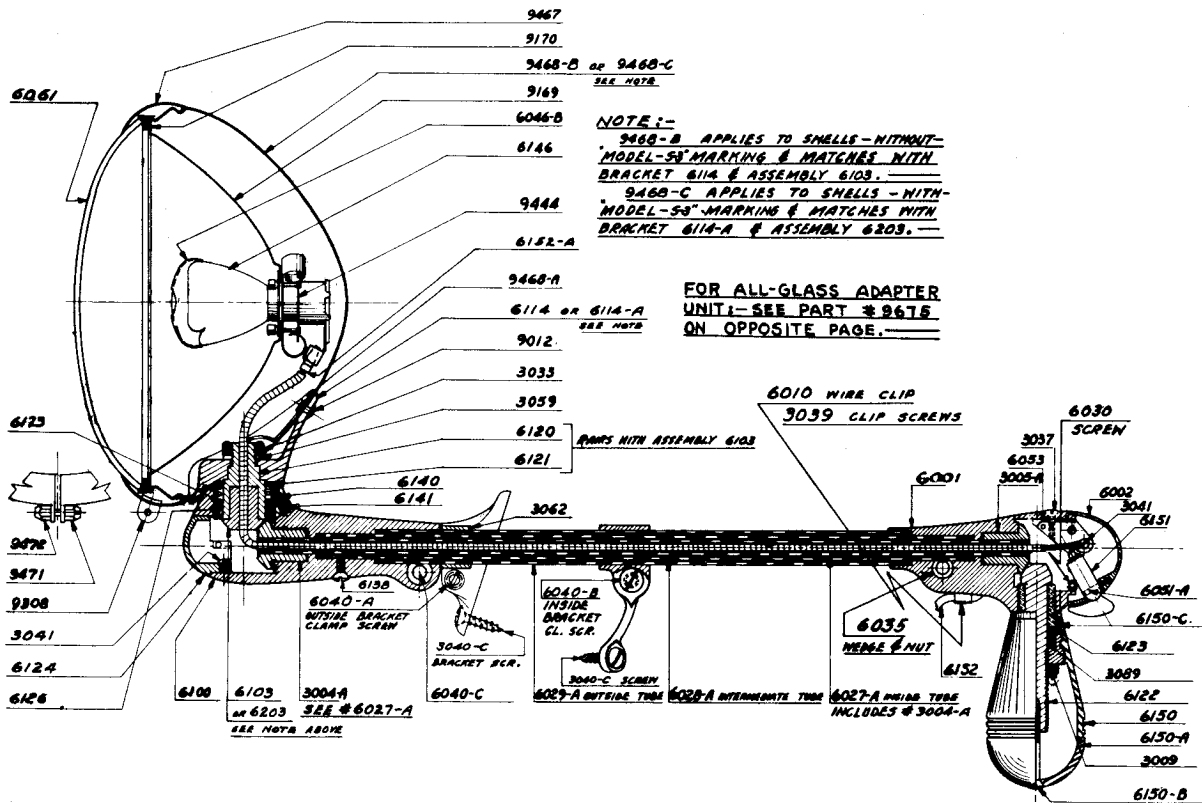
* If other length tubes are desired—add 50¢ list per tube and specify overall length wanted.

NOTE: Models "J" "S" "D"—Same as cut shown except use old handle housing as illustrated on Sportlight Cut. Safetylight without model number on name plate has old lamp and handle castings as illustrated on Sportlight Cut.

PLEASE ORDER BY PART NUMBER—PRICES SUBJECT TO CHANGE WITHOUT NOTICE.

UNITY MANUFACTURING CO., 2909 Indiana Ave., CHICAGO, ILL.

Parts Prices (U.S.A.) for Model S-3 Safetylight



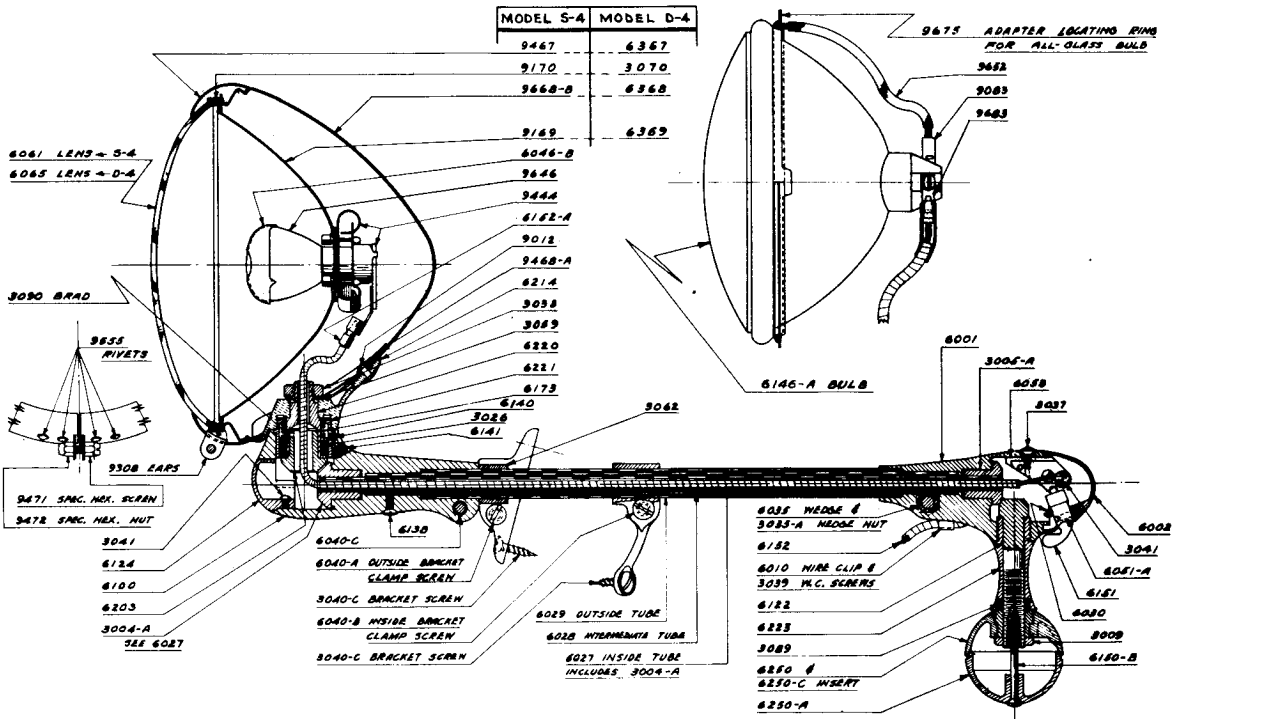
Part No.	List	Part No.	List
3005-A	Gear with Stop—18 teeth.....\$.25	6122	Handle Shaft & Pinion Gear—12 teeth—tapped end..... .60
3009	Handle Lock Nut..... .15	6123	Handle Sleeve & Bushing..... .30
3033	Nut for Shoulder Post..... .10	6124	Lamp Housing Plug..... .25
3037	Screw to Switch..... .01 net	6138	Intermediate Tube Lock Screw..... .01 net
3039	Wire Clip Screws..... .01 net	6140	Wedge Pin..... .01 net
3040-C	P-K Sheet Metal Bracket Screw..... .05	6141	Vertical Friction Set Screw..... .15
3041	Switch Contact Screw & Housing Plug Screw..... .05	6141-W	Wrench for Set Screw #6141..... .10
3059	Lock Washer for Shoulder Bushing..... .01 net	6146	6-8 Volt, 32 C.P. Bulb, Mazda 1323..... .30 net
3062	Shaft Sleeve for Bracket..... .10	6146-A	Mazda All-Glass Spotlight Bulb..... net
3089	Felt Washer..... .05	9146	6-8 Volt, 32 C.P. Bulb, Mazda 1321..... .30 net
6001	Handle Housing Casting..... 2.00	9146-A	6-8 Volt, 50 C.P. Bulb, Mazda 1503..... .55 net
6002	Switch Assembly, including Parts Nos. 6051-A, 6151 & 2-6030..... .90	9146-C	12-16 Volt, 32 C.P. Bulb, Maz. 1327..... .70 net
6010	Wire Clip..... .01 net	9646	6-8 Volt, 35 Watt Bulb..... .40 net
*6027-A	Inside Tube— $\frac{3}{8}$ " O.D.—11 $\frac{1}{2}$ " overall, incl. Gear 3004-A—18 teeth..... 1.00	9646-G	Mazda "Glaseal" Spotlight Bulb..... net
*6028-A	Intermediate tubing—9 $\frac{7}{8}$ " overall..... .50	6150	Upper Sec. Handle & Insert 6150-C..... .50
*6029-A	Outside tubing—7 $\frac{7}{8}$ " overall..... .90	6150-A	Lower Section Handle..... .25
6030	Screw for cap..... .01 net	6150-B	Handle Screw..... .05
6035	Handle Wedge & Nut..... .15	6151	Switch Toggle only..... .30
6040-A	Outside Bracket Clamp Screw— $\frac{1}{8}$ " long..... .06	6152	Outside Wire..... .35
6040-B	Inside Bracket Clamp Screw— $\frac{3}{8}$ " long..... .06	6152-A	Inside Wire..... .35
6040-C	Vertical Friction Screw..... .06	6173	Shoulder Spring..... .05
6046-B	Bulb Shield..... .15	6203	Shoulder Post Assem., incl. 3003-A, 18 tooth gear, 6220 & 3026..... .60
6051-A	Toggle Screw only..... .01 net	9169	Reflector..... 1.50
6053	Switch Assembly..... .40	9170	Gasket..... .16
6061	Clear Lens—5 $\frac{1}{8}$ " Diameter..... .40	9444	Bulb Socket..... .40
6061-A	Clear Amber Lens—5 $\frac{1}{8}$ " Diameter..... 1.10	9467	Ring Assembly, including 9471-2..... 1.00
6061-R	Clear Ruby Lens—5 $\frac{1}{8}$ " Diameter..... 1.75	9468-B	Shell Assem., incl. 6114 & 9468-A..... 3.00
6061-RP	Clear Ruby Lens with "POLICE" sandblasted on inside face—5 $\frac{1}{8}$ "..... 3.00	9468-C	Shell Assem. incl. 6114-A & 9468-A..... 3.00
6061-RS	Clear Ruby Lens with "SHERIFF" sandblasted on inside face—5 $\frac{1}{8}$ "..... 3.00	9471-2	Ring Screw & Nut..... .10
6061-RHP	Clear Ruby Lens with "HIGHWAY PATROL" sandblasted on inside face—5 $\frac{1}{8}$ " Diameter..... 3.00	9675	Adaptor Locating Ring, including Ground Wire #9652 and Terminals #9083 & #9683..... .50
6100	Lamp Housing Casting..... 2.00		All Brackets, except No. 100-7..... 1.75 Set
6103	Shoulder Post Assembly, including 3003-A, 18 tooth gear, 6120 & 6126..... .60		Outside Bracket..... 1.00
6120	Shoulder Post—See 6103..... .35		Inside Bracket..... .75
6121	Shoulder Bushing..... .35		Open Car Brackets..... 1.75
			Bracket No. 100-7..... 3.00 Set
			Bracket Locating Fixture & Pointer..... 1.50 net
			Special $\frac{1}{2}$ " Twist Drill Bit—10" Long..... 3.50 net

On Jobber orders for Parts Only, totaling less than \$3.00 wholesale, a service charge of 25¢ will be added.

* If other length tubes are desired—add 50¢ list per tube and specify overall length wanted.

PLEASE ORDER BY PART NUMBER — PRICES SUBJECT TO CHANGE WITHOUT NOTICE.

Parts Prices (U.S.A.) for Model S-4 and D-4 Safetylight

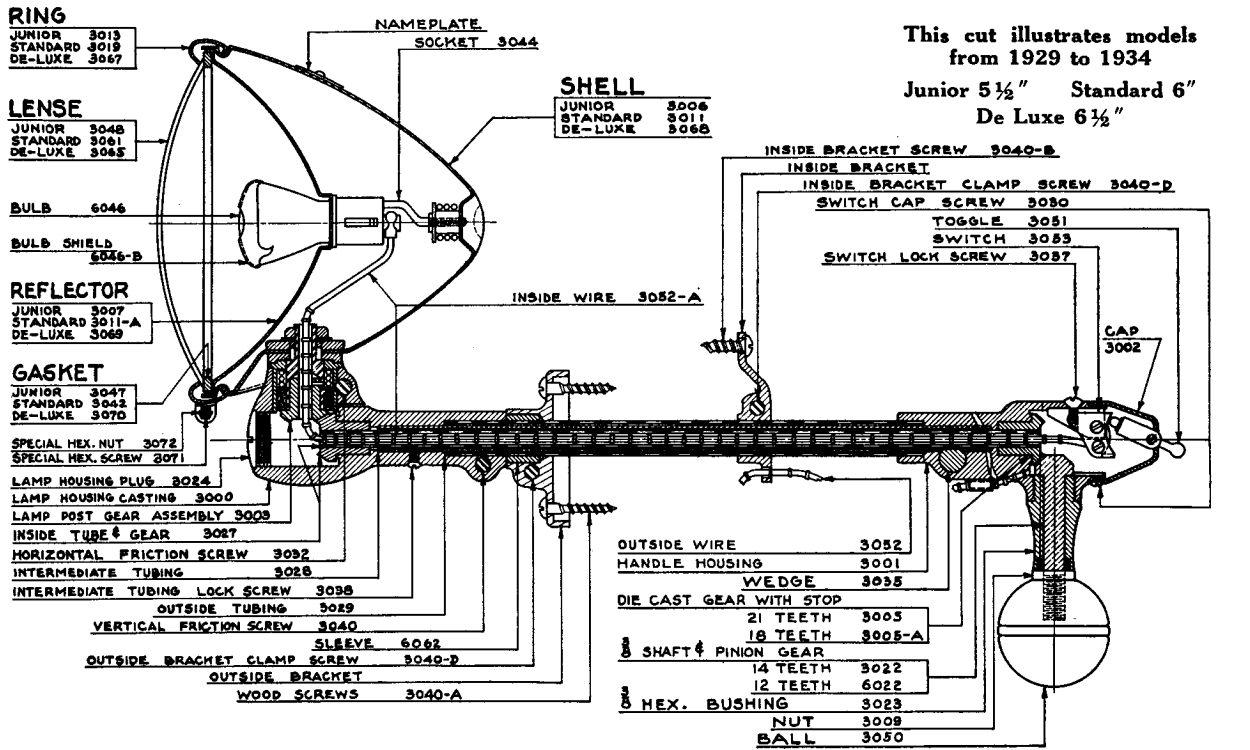


Part No.	List	Part No.	List
3005-A	Gear with Stop—18 teeth.....\$.25	6122	Handle Shaft & Pinion Gear—12 teeth—tapped end..... .60
3009	Handle Lock Nut..... .15	6124	Lamp Housing Plug..... .25
3026	Felt Washer..... .05	6138	Intermediate Tube Lock Screw..... .01 net
3033	Nut for Shoulder Post..... .10	6140	Wedge Pin..... .01 net
3037	Screw to Switch..... .01 net	6141	Vertical Friction Set Screw..... .15
3039	Wire Clip Screws..... .01 net	6141-W	Wrench for Set Screw #6141..... .10
3040-C	P-K Sheet Metal Bracket Screw..... .05	6146-A	Mazda All-Glass Spotlight Bulb..... net
3041	Switch Contact Screw & Housing Plug Screw..... .05	9146	6-8 Volt, 32 C.P. Bulb, Mazda 1321..... .30 net
3059	Lock Washer for Shoulder Bushing..... .01 net	9146-A	6-8 Volt, 50 C.P. Bulb, Mazda 1503..... .55 net
3062	Shaft Sleeve for Bracket..... .10	9146-C	12-16 Volt, 32 C.P. Bulb, Maz. 1327..... .70 net
3070	Gasket—Model D-4—6½" Light..... .17	9646	6-8 Volt, 35 Watt Bulb..... net
3089	Felt Washer..... .05	9646-G	Mazda "Glaseal" Spotlight Bulb..... net
6001	Handle Housing Casting..... 2.00	6150-B	Handle Screw..... .05
6002	Switch Assembly, including Parts Nos. 6051-A, 6151 & 2-6030..... .90	6151	Switch Toggle only..... .30
6010	Wire Clip..... .01 net	6152	Outside Wire..... .35
*6027	Inside Tube—¾" O.D.—12¼" overall, including Gear 3004-A—18 teeth..... 1.00	6152-A	Inside Wire..... .35
*6028	Intermediate tubing—10⅝" overall..... .50	6173	Shoulder Spring..... .05
*6029	Outside tubing—8⅝" overall..... .90	6203	Shoulder Post Assem., incl. 3003-A, 18 tooth gear, 6220 & 3026..... .60
6030	Screw for cap..... .01 net	6220	Shoulder Post—See #6203..... —
6035	Handle Wedge & Nut..... .15	6221	Shoulder Bushing..... .35
6040-A	Outside Bracket Clamp Screw—⅜" long..... .06	6223	Handle Sleeve & Bushing..... .30
6040-B	Inside Bracket Clamp Screw—⅜" long..... .06	6250	Upper Section Ball Handle & Insert 6150-C..... .50
6040-C	Vertical Friction Screw..... .06	6250-A	Lower Section Ball Handle..... .25
6046-B	Bulb Shield..... .15	6367	Ring for D-4 Light, Incl. #9471-2... 1.10
6051-A	Toggle Screw only..... .01 net	6368	Shell Assembly for D-4 Light—incl. Parts Nos. 6214 & 9468-A... 3.00
6053	Switch Assembly..... .40	6369	Reflector for D-4 Light..... 1.50
6061	Clear Lens—5⅜" Diameter..... .40	9169	Reflector for S-4 Light..... 1.50
6061-A	Clear Amber Lens—5⅜" Diameter 1.10	9170	Gasket—Model S-4—6" Light..... .16
6061-R	Clear Ruby Lens—5⅜" Diameter... 1.75	9444	Bulb Socket..... .40
6061-RP	Clear Ruby Lens with "POLICE" sandblasted on inside face—5⅜"..... 3.00	9467	Ring for Model S-4, inc. 9471-2... 1.00
6061-RS	Clear Ruby Lens with "SHERIFF" sandblasted on inside face—5⅜"..... 3.00	9471-2	Ring Screw & Nut..... .10
6061-RHP	Clear Ruby Lens with "HIGHWAY PATROL" sandblasted on inside face—5⅜" Diameter..... 3.00	9668-B	Shell Assembly, Model S-4, including Parts Nos. 6214 & 9468-A... 3.00
6065	Clear Lens—6¼" Diameter..... .40	9675	Adaptor Locating Ring, including Ground Wire #9652 and Terminals #9083 & #9683..... .50
6065-A	Clear Amber Lens—6¼" Diameter 1.10		All Brackets, except No. 100-7..... 1.75 Set
6065-RP	Clear Ruby Lens with "POLICE" sandblasted on inside face—6¼"..... 3.00		Outside Bracket..... 1.00
6065-RS	Clear Ruby Lens with "SHERIFF" sandblasted on inside face—6¼"..... 3.00		Inside Bracket..... .75
6100	Lamp Housing Casting..... 2.00		Open Car Brackets..... 1.75
			Bracket No. 100-7..... 3.00 Set
			Bracket Locating Fixture & Pointer..... 1.50 net
			Special ½" Twist Drill Bit—10" Long..... 3.50 net

On Jobber orders for Parts Only, totaling less than \$3.00 wholesale, a service charge of 25¢ will be added.
* If other length tubes are desired—add 50¢ list per tube and specify overall length wanted.

PLEASE ORDER BY PART NUMBER — PRICES SUBJECT TO CHANGE WITHOUT NOTICE.

Parts Prices (U.S.A.) for Spotlight



Part No.	Description	Price	Part No.	Description	Price
3000	Lamp housing casting.....	\$2.00	3044	Bulb socket30
3001	Handle housing casting.....	2.00	3047	Gasket for Junior—5 1/2" light.....	.15
3002	Switch Cap assembly (Incl. 3051 toggle @ 2-3030 screws).....	.90	3048	Lens for Jr. 5 1/2" light, 5 1/8" O.D.....	.40
3003	Lamp Post Gear Assembly— 21 teeth60	3048-P	Red Lens embossed "Police" for Jr. 5 1/2" light.....	1.75
3005	Gear with stop—21 tooth.....	.25	3050	Handle ball (Specify color) 1 Piece	.75
3005-A	Gear with stop—18 tooth.....	.25	3051	Toggle for switch.....	.30
3006	Shell for Junior—5 1/2" light.....	2.00	3052	Outside wire35
3007	Reflector for Junior—5 1/2" light.....	1.50	3052-A	Inside wire35
3009	Handle Lock Nut.....	.15	3053	Switch assembly40
3011	Shell for Standard—6" light.....	2.50	3061	Lens for Std. 6" light, 5 3/4" O.D.....	.40
3011-A	Reflector for Standard—6" light.....	1.50	3061-P	Red Lens embossed "Police" for Standard 6" light.....	1.75
3013	Ring for Jr. 5 1/2" light, incl. #3071-2	.90	3065	Lens for De Luxe—6 1/2" light, 6 1/4" O.D.....	.40
3019	Ring for Std. 6" lght, incl. #3071-2	1.00	3067	Ring for 6 1/2" light Incl. #3071-2.....	1.10
3022	Handle shaft & pinion gear—14 tooth	.60	3068	Shell for De Luxe—6 1/2" light.....	3.00
3023	Handle sleeve & bushing.....	.30	3069	Reflector for De Luxe—6 1/2" light.....	1.50
3024	Lamp housing plug.....	.25	3070	Gasket for De Luxe—6 1/2" light.....	.17
3027	Inside tube & gear—11 1/2" overall, 3/8" O.D. tube & 21 tooth gear.....	1.00	3071-2	Ring screw & nut.....	.10
6028-A	Intermediate tubing—9 7/8".....	.50	6022	Handle Shaft & Pinion gear—12 tooth	.60
3029	Outside tubing—8 7/8" overall.....	.90	6046	6-8 volt 32 c.p. bulb No. 1133.....	.25 net
3029-A	Outside tubing—7 1/8" overall.....	.90	6046-B	Bulb Shield15
3030	Switch cap screw.....	.01 net	6062	Shaft sleeve for bracket.....	.10
3032	Horizontal Friction screw.....	.06	*****	Resilvering Reflector.....	1.00
3035	Handle Wedge & Nut.....	.15	All Brackets, except No. 100-7.....	1.75 Set	
3037	Switch Lock screw.....	.01 net	Outside Bracket	1.00	
3038	Intermediate tube lock screw.....	.01 net	Inside Bracket75	
3040	Vertical friction screw.....	.06	Open Car Brackets.....	1.75	
3040-A	Wood screw—3/8" long.....	.06	Bracket No. 100-7.....	3.00 Set	
3040-B	Wood screw—1/8" long.....	.06	Bracket Locating Fixture & Pointer.....	1.50 net	
3040-C	PK sheet metal bracket screw.....	.05	Special 1/2" Twist Drill Bit—10" Long.....	3.50 net	
3040-D	Bracket clamp screw.....	.06	On Jobber Orders for Parts Only, totaling less than \$3.00 wholesale, a service charge of 25¢ will be added.		
3042	Cork gasket for Standard 6" light.....	.16			

NOTE: On older models please send light directly to factory. Estimate on cost of repairs will be sent. No labor charge will be made at factory on such repair jobs.

PLEASE ORDER BY PART NUMBER — PRICES SUBJECT TO CHANGE WITHOUT NOTICE.

UNITY MANUFACTURING CO., 2909 Indiana Ave., CHICAGO, ILL.