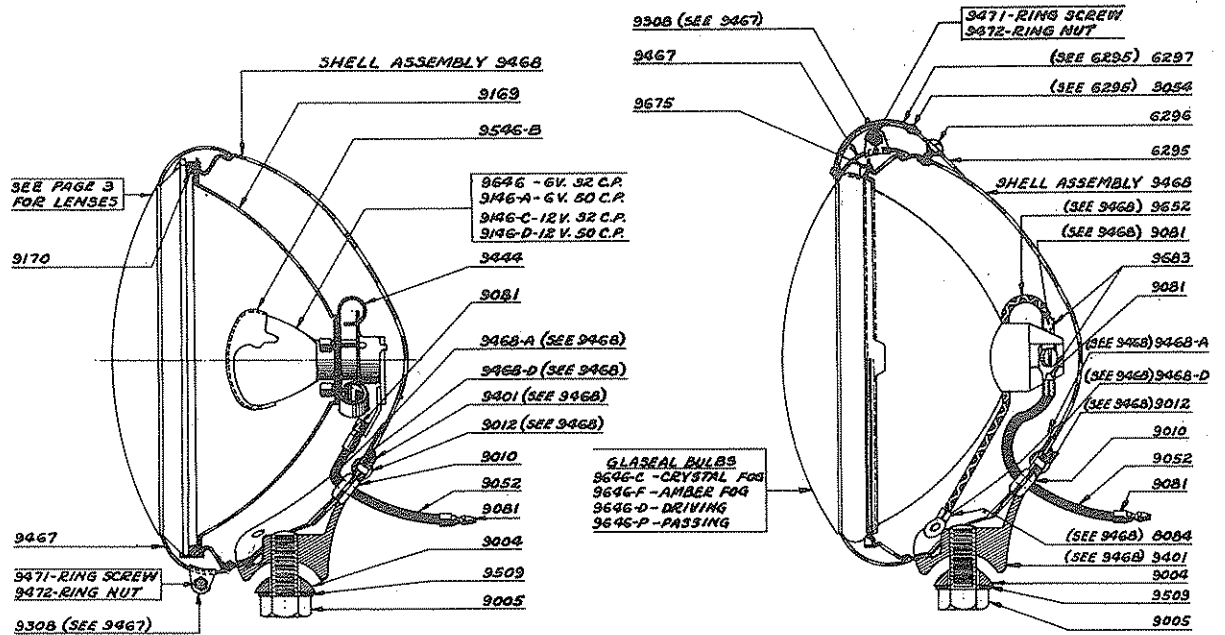


Model S-3 and S-7—Fog, Driving and Passing Lights

STOCK NOS. 300 and 400

Model S-4 identical, except uses No. 9668 Shell Assembly

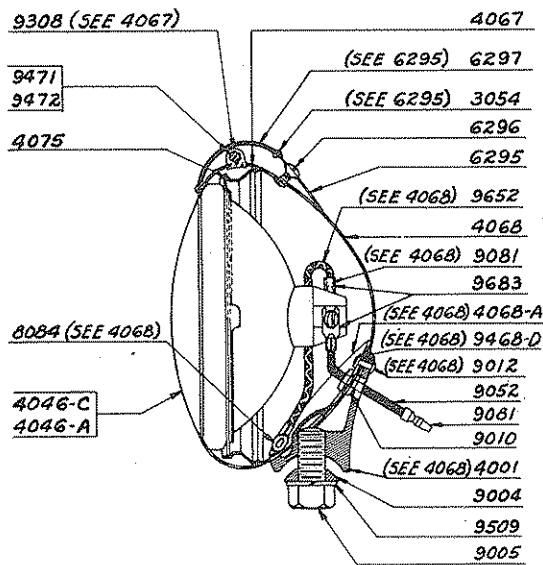


ASSEMBLY USING UNITY REFLECTOR, LENS, GASKET & PREFOCUSED BULB

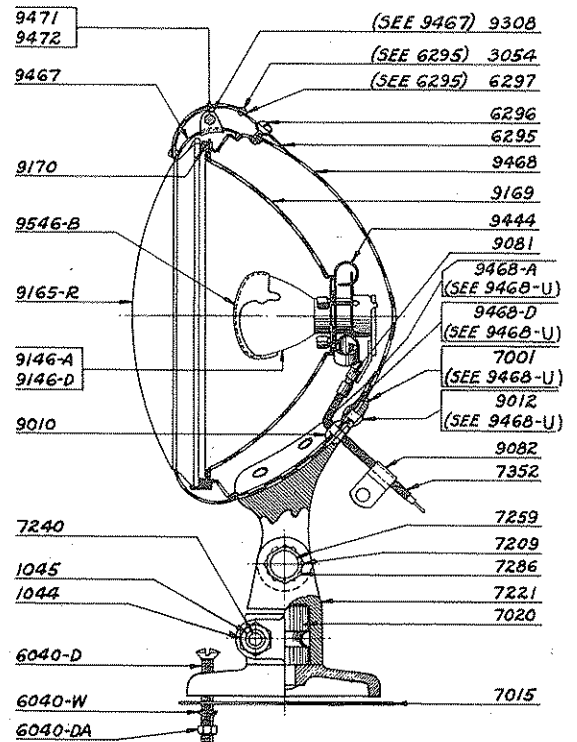
ASSEMBLY USING GLASEAL BULBS ALSO ILLUSTRATES ORNAMENT-NAME PLATE PART NUMBERS

Model "H"—Fog Light STOCK NO. 420

Model "H"—Back-Up Light STOCK NO. 430



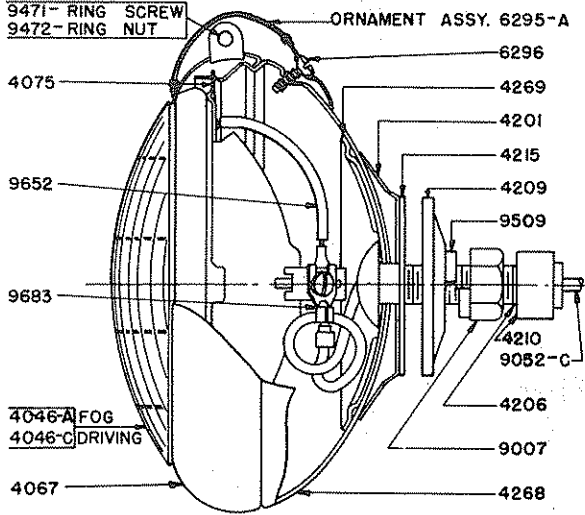
No. 3 Universal Warning Light



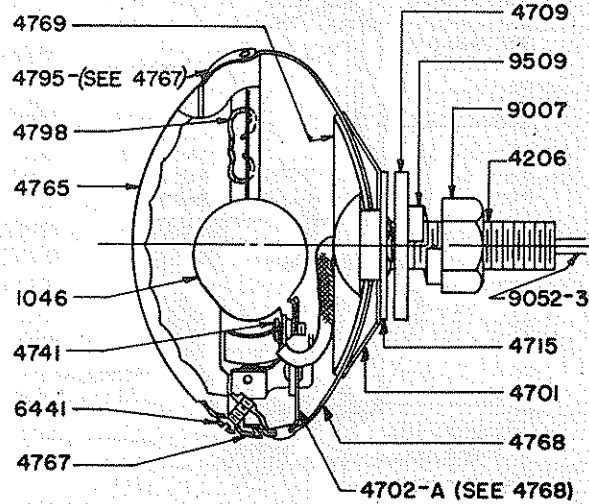
UNITY MANUFACTURING CO., 2909 Indiana Ave., CHICAGO 16, ILL.

Flush Mounting Fog and Back-Up Lights

Model "H-2" Fog Light STOCK NO. 425

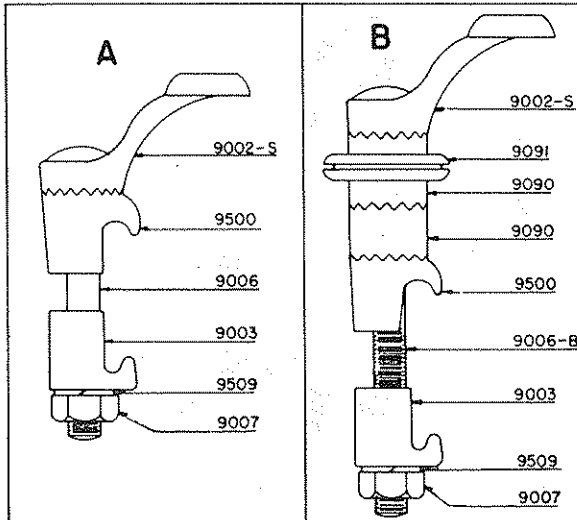


Model "B" Back-Up Light STOCK NO. 435

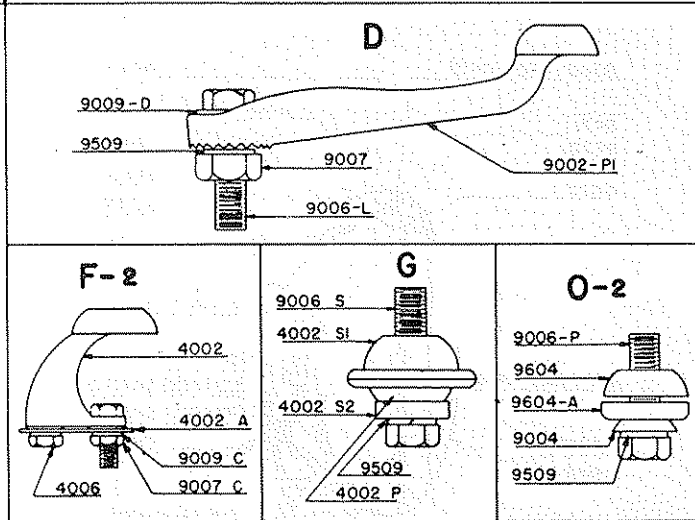


Fog Light Brackets

Universal Bumper Arm Brackets



Universal Apron Mounting Brackets



List Price for any single Fog Light Bracket is \$1.38 each. See Form No. 168 for Bracket Specifications by makes of vehicles.

All Prices herein are U. S. Prices and are subject to change without notice.

EFFECTIVE MARCH 1, 1948

PARTS PRICES (U.S.A.) PLEASE ORDER BY PART NUMBER
WHENEVER POSSIBLE, PLEASE ORDER IN STANDARD PACKAGE MULTIPLES.
PRICES SUBJECT TO CHANGE WITHOUT NOTICE

†—One Dagger before Parts Number indicates that such part is packed and labeled ONE TO A CARTON.

††—Two Daggers before Parts Number indicates that such part is packed and labeled in STANDARD PACKAGE OF TEN PIECES. Where less than ten of such parts are ordered, they are packed in marked paper bags.

Parts with no daggers before them are either individually wrapped or packed in marked paper bag.

N. B.—On Wholesale orders for Parts Only, totalling less than \$3.00 wholesale, a Service Charge of 25¢ will be added.

Unity Deluxe Model and Super Model Fog Lights are now obsolete. Repair parts are no longer available, except Gaskets and Lenses, listed below. Deluxe and Super Models cannot be converted to Sealed Beam Type.

GASKETS

Part No.	Description	List Price
††3070	Synthetic Rubber Gasket, 1/8" thick for Deluxe Model Fog Lights, 19" long, cut to fit light.....	.23
††6370	Synthetic Rubber Gasket, 7/32" x 5/32" for Model S3, S4, S7 Fog Lights, 19 1/2" long, cut to fit light.....	.23

BULBS Net—No Discount

Bayonet Base type, for single contact Deluxe Model Fog Lights

1046	6-8 Volt, 21 C.P., Bulb No. 1129.....	.23 net
6046	6-8 Volt, 32 C.P., Bulb No. 1133.....	.25 net
6046-A	6-8 Volt, 50 C.P., Bulb No. 1183.....	.27 net
6046-C	12-16 Volt, 32 C.P., Bulb No. 1143.....	.33 net
6046-D	12-16 Volt, 50 C.P., Bulb No. 1195.....	.45 net

Prefocused type, single contact, for Model S3, S4, S7 & H Fog Lights

9146-A	6-8 Volt, 50 C.P., Bulb No. 1503.....	.35 net
9146-C	12-16 Volt, 32 C.P., Bulb No. 1327.....	.45 net
9146-D	12-16 Volt, 50 C.P., Bulb No. 1507.....	.55 net

Prefocused type, double contact, for Super Model Fog Lights

9546	6-8 Volt, 32 C.P., Bulb No. 2330.....	.33 net
9546-A	6-8 Volt, 50 C.P., Bulb No. 2530.....	.45 net
9546-C	12-16 Volt, 32 C.P., Bulb No. 2336.....	.48 net
9546-D	12-16 Volt, 50 C.P., Bulb No. 2536.....	.65 net

Sealed Beam Type

4046-C	6-8 Volt, 35 Watt, Crystal, for Model H—GE No. 4015.....	1.35 net
4046-F	6-8 Volt, 35 Watt, Amber, for Model H—GE No. 4015-A.....	1.60 net
9446-C	12-16 Volt, 35 Watt, Crystal, for Models S3, 4, 7—GE No. 4412.....	1.85 net
9446-F	12-16 Volt, 35 Watt, Amber, for Models S3, 4, 7—GE No. 4412-A.....	2.10 net
9646-C	6-8 Volt, 35 Watt, Crystal, for Models S3, 4, 7—GE No. 4012.....	1.35 net
9646-F	6-8 Volt, 35 Watt, Amber, for Models S3, 4, 7—GE No. 4012-A.....	1.60 net

LENSES

PRISM TYPE

†4765	Lens for No. 435 Back-up Light.....	.70
-------	-------------------------------------	-----

For Models S3, 4 & 7

†9165	Amber Lens—5 7/8" Diameter.....	1.04
†9165-B	Blue Lens—5 7/8" Diameter.....	1.04
†9165-C	Crystal Lens—5 7/8" Diameter.....	1.04
†9165-G	Green Lens—5 7/8" Diameter.....	1.04
†9165-R	Red Lens—5 7/8" Diameter.....	1.04
†9165-T	Two-tone, Amber & Crystal Lens—5 7/8" Diameter.....	1.04

Part No.	Description	List Price
----------	-------------	------------

For Deluxe & Super 6 1/2" Models

†9065	Amber Lens—6 1/8" Diameter.....	1.04
†9065-B	Blue Lens—6 1/8" Diameter.....	1.04
†9065-C	Crystal Lens—6 1/8" Diameter.....	1.04
†9065-G	Green Lens—6 1/8" Diameter.....	1.04
†9065-R	Red Lens—6 1/8" Diameter.....	1.04

For Super 7" Models

†9565	Amber Lens—6 3/4" Diameter.....	1.04
†9565-B	Blue Lens—6 3/4" Diameter.....	1.04
†9565-C	Crystal Lens—6 3/4" Diameter.....	1.04
†9565-G	Green Lens—6 3/4" Diameter.....	1.04
†9565-R	Red Lens—6 3/4" Diameter.....	1.04
†9565-T	Two-tone, Amber & Crystal Lens—6 3/4" Diameter.....	1.04

CLEAR RUBY LENSES

†6061-R	Ruby Lens, for S3, 4 & 7.....	4.00
†6065-R	Ruby Lens, for Deluxe & Super 6 1/2".....	4.00
†9565-RC	Ruby Lens, for Super 7".....	4.00
†9565-RP	Ruby Lens, with "POLICE", for Super 7".....	4.00

FIRED CERAMIC COLORED LENSES WITH WHITE LETTERING

For Models S3, 4 & 7

†6061-BA	Blue Lens, with "CROSS & AMBULANCE", 5 1/8" Diam.....	2.30
†6061-F	Red Lens, with "FIRE", 5 1/8" Diam.....	2.30
†6061-RHP	Red Lens, with "HIGHWAY PATROL", 5 1/8" Diam.....	2.30
†6061-RP	Red Lens, with "POLICE", 5 1/8" Diam.....	2.30
†6061-RPS	Red Lens, with "POLICE STOP", 5 1/8" Diam.....	2.30
†6061-RS	Red Lens, with "SHERIFF", 5 1/8" Diam.....	2.30
†6061-RST	Red Lens, with "STOP", 5 1/8" Diam.....	2.30
†6065-RP	For Deluxe & Super 6 1/2" Models Red Lens, with "POLICE", 6 1/4" Diam.....	2.30
†6065-RS	Red Lens, with "SHERIFF", 6 1/4" Diam.....	2.30

FLASHER UNITS

9017	Flasher Unit, 6 Volt, 5 Amp. cap. for 50 C.P. or 30 W. bulbs.....	1.75
9017-A	Flasher Unit, 12 Volt, 5 Amp. cap. for 50 C.P. or 30 W. bulbs.....	1.75

SWITCHES

4053-BU	Switch for Back-Up Light.....	1.38
9053	Switch for Single Lamp.....	1.04
9553	Switch, Fused 3-Pole, for Pair Lamps.....	1.38

Part No.	Description	List Price	Part No.	Description	List Price
†4002	Bracket Arm	1.38	††9003	Bottom Bracket Clamp	.29
†4002-A	Reinforcing Plate	.17	†9003-A	Bottom Bracket Clamp with 1/2" opening for thick bars (Pairs with Part No. 9500-A)	.29
†4002-L	Bracket Adapter	.29	††9004	Bracket Cup Washer	.17
†4002-P	Bracket Washer	.46	††9006	Carriage Bolt, 7/8" USS x 4"	.16
†4002-S	Bracket Arm	1.38	††9006-B	Carriage Bolt, 7/8" USS x 6"	.20
†4002-S1	Bracket Washer	.46	††9006-L	Carriage Bolt, 7/8" USS x 1 3/4"	.08
†4002-S2	Bracket Washer	.46	††9006-P	Cap Screw, 7/8" USS x 1 3/4"	.08
†4006	Cap Screw, Hex Head, 1/4" USS x 3/4"	.06	††9006-S	Cap Screw, 7/8" USS x 2"	.08
†4067	Ring Assembly, Incl. 9471-2	1.38	††9007	Hex Nut, 7/8" USS	.06
4068	Shell Assembly, Incl. 4001, etc.	4.14	††9007-C	Hex Nut, 1/4" USS	.04
††4075	Adapter Ring, Incl. Ground Wire and No. 9683 Terminal	1.50	††9009-D	Special Flat Washer, 7/8" I. D.	.04
†4201	Outside Bracket Washer	.50	††9010	Rubber Grommet	.07
††4206	Drilled Carriage Bolt, 7/8" USS x 1 3/4"	.50	†9052	Wire Assembly	.69
††4209	Bracket Washer	.40	†9052-3	Wire Assy.—B-U Lights	1.50
††4210	Rubber Cap	.20	††9071-2	Ring Screw & Nut, 8-32 x 7/8"	.14
††4215	Bracket Gasket	.20	††9082	Wire Clamp	.35
4268	Shell	3.00	††9083	Open end terminal	.14
†4269	Inside Bracket Washer	.50	††9084	Round hole terminal	.14
†4709	Bracket Washer	.40	††9090	Clamp Extension Bushing	.23
††4741	Machine Screw, 6-32 x 1 1/8" Binder head	.06	††9091	Rubber Grommet for "B" Bracket Reflector	.21
†4767	Ring Assy., Incl. #4795	.80	†9169	Reflector	2.07
4768	Shell Assy., Incl. #4202-A	2.50	††9382	"Y" Connector	.23
†4769	Washer Reflector	.50	†9444	Bulb Socket, for pre-focused bulbs	.58
††4798	Lens Spring	.06	†9467	Ring Assembly Incl. Part 9471-2	1.38
††6441	Screw, 4-36 x 1 1/8" Oval Head	.06	9468	Shell Assembly Incl. 9401, etc.	4.14
††6295	Shell ornament, complete with Unity name plate	.92	9468-U	Shell Assembly Incl. 7001, etc.	6.00
††6296	Shell ornament attaching screw	.06	††9471-2	Ring Screw & Nut, 8-32 x 7/8"	.14
†7020	Pivot	.58	††9500	Upper Bracket Clamp	.29
†7221	Pivot Housing	1.15	†9500-A	Upper Bracket Clamp with 1/2" opening for thick Bars (Pairs with Part No. 9003-A)	.29
†9002-A	Bracket Arm—3 1/8" Height—2 7/8" between hole centers	.58	††9509	Lock Washer 7/8"	.03
†9002-P1	"D" Bracket Arm	1.38	††9571-2	Ring Screw & Nut 10-32 x 3/4"	.14
†9002-S	Bracket Arm—1 3/4" Height—2" between hole centers	.58	††9582	Bakelite Connector	.17
			††9604	Bracket Washer	.35
			††9604-A	Bracket Washer	.35
			†9675	Adapter Locating Ring, including Ground Wire and No. 9683 Terminal	1.50
			9683	Glaseal Bulb Terminal	.17